

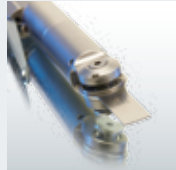


Hall® Powered Instruments System™

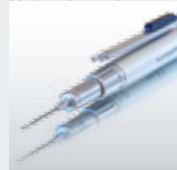
Product Catalog



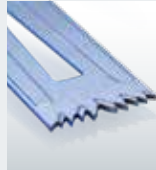
MICROPOWER®
SAW



MICRO 100™
SURGIAIRTOME TWO®



M-CLASS™
BLADES



HALL® LITHIUM
BATTERIES



HALL®
POWERED INSTRUMENTS

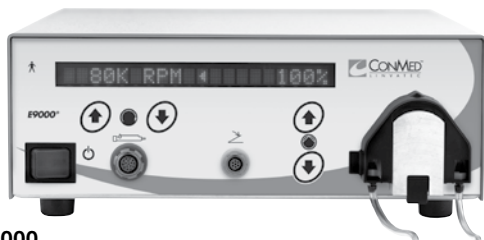
Electric Consoles & Accessories



D4000



D3000



E9000



PRO2000

	Cat. No.
D4000 Console	D4000
D4000 Console with Irrigation	D4000A

Advantage® Console	D3000
--------------------------	-------

E9000® Console	E9000
----------------------	-------

PowerPro® Console	PRO2000
-------------------------	---------

Attachments on page 43

Handpieces

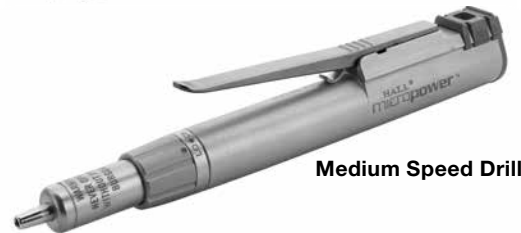
	Removable Lever	Permanently Attached Lever
Oral Max High Speed Drill.....	6020-025	6021-025
Orthopedic High Speed Drill.....	6020-026	6021-026
Medium Speed Drill.....	6020-021	6021-021
Sagittal Saw.....	6020-022	6021-022
Reciprocating Saw.....	6020-023	6021-023
Oscillating Saw.....	6020-024	6021-024



Oral Max™ High Speed Drill



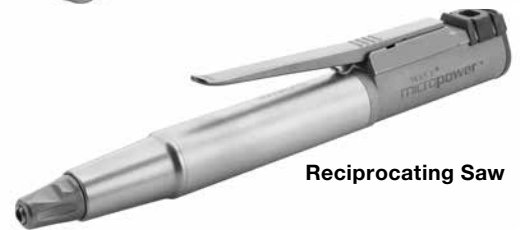
Orthopedic High Speed Drill



Medium Speed Drill



Sagittal Saw



Reciprocating Saw



Oscillating Saw

All products may not be available in all markets.

2-Pedal Footswitch.....**Cat. No.** 5020-053



5020-053

3-Pedal Footswitch..... C9863



C9863

Handpiece Cord..... MC5057



MC5057

AC Power Cord..... 5039-003



5039-003

Fluid Bag Support Rod for D3000 & E9000 5040-180



5040-180

Console Stand..... 5020-054

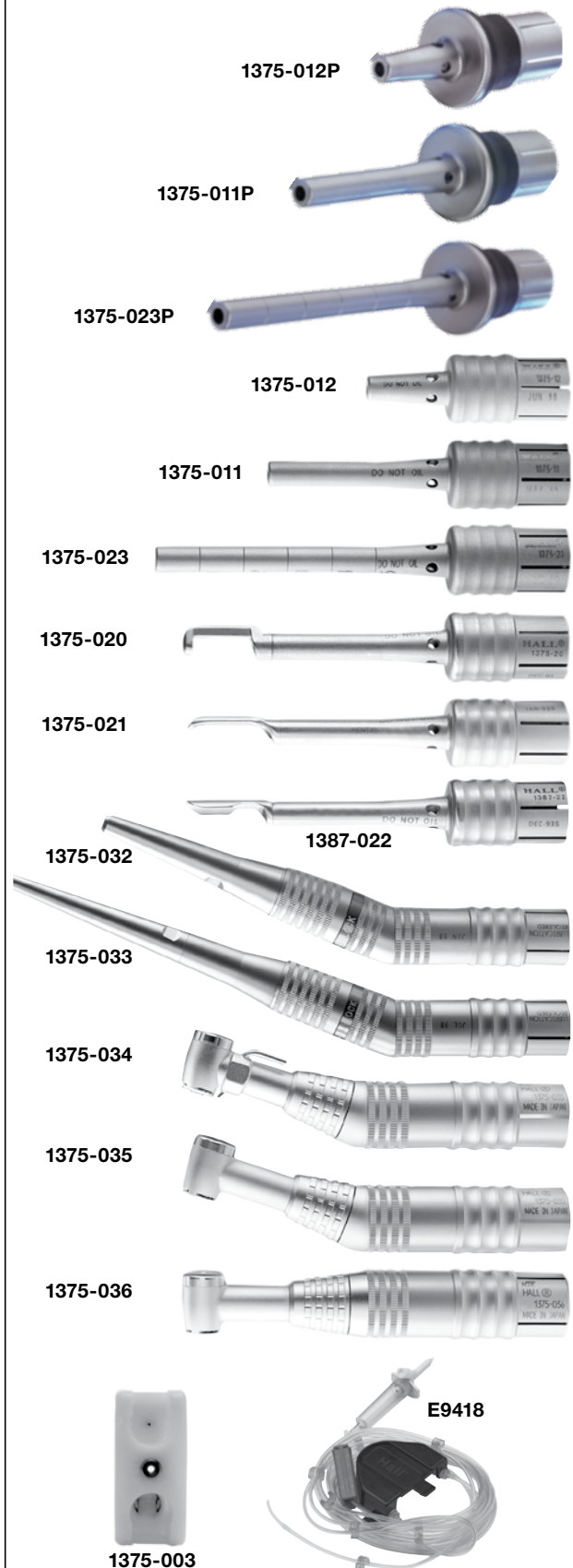


5020-054

All products may not be available in all markets.

Attachments

	Cat. No.
Medium Precision Bur Guard.....	1375-012P
Long Precision Bur Guard	1375-011P
X-Long Precision Bur Guard.....	1375-023P
Medium Bur Guard	1375-012
Long Bur Guard.....	1375-011
X-Long Bur Guard.....	1375-023
Laminectomy Guard.....	1375-020
Use 5092-103/203 long carbide burs, the laminectomy burs are the only burs that can be inserted prior to placing bur guard.	
Rhinoplasty Guard	1375-021
Tissue Retractor	1387-022
Use only with long burs (5092 series) which have diameter of 4.0mm or less. Recommended burs 5092-136.	
20 degree Angled Attachment	1375-032
Use only 5092 series X-long burs.	
20 degree X-Long Angled Attachment.....	1375-033
Use only 5093 series X-long burs.	
70 degree Contra Angle with Dental Head.....	1375-034
Use friction grip burs only – size .0625" or 1.58mm diameter. Not available from ConMed.	
70 degree Contra Angle with Surgical Head	1375-035
Use only 5089 ultra-short burs and 5090 series short burs.	
90 degree Angled Attachment	1375-036
Use only 5089 X-short burs and 5090 series short burs.	
Bur Changer for 70 and 90 degree Angled Attachments.....	1375-003
Irrigation Tubing Set.....	E9418



All products may not be available in all markets.

Micro Burs



MicroPower & Micro 100 Bur Guards	Round Fluted												
	Flutes (mm)	4.00	6.00	6.00	8.00	6.00	8.00	6.00	8.00	8.00	10.00	10.00	10.00
	Diameter (mm)	0.50	1.00	1.50	1.80	2.00	2.30	2.40	3.00	4.00	5.00	6.00	6.50
1375-012				5091-222	5091-221	5091-224	5091-223	5091-225	5091-226	5091-228	5091-230	M60R	5091-232
1375-011			5092-220	5092-222	L18R	5092-224	L23R		5092-226	5092-228	5092-230	L60R	5092-232
1375-023		5093-221	5093-220			5093-224			5093-226	5093-228	5093-230	X60R	5093-232
1387-022									5092-236				

MicroPower & Micro 100 Bur Guards	Fine Round Diamond						
	Diameter (mm)	1.00	2.00	3.00	4.00	5.00	6.00
1375-012			5091-260		5091-264	5091-268	M60D
1375-011		L10D	5092-260	5092-262	5092-264	5092-266	5092-268
1375-023		X10D	5093-260	5093-262	5093-264	5093-266	

MicroPower & Micro 100 Bur Guards	Wire Pass Burs			
	Flutes (mm)	2.00	2.00	2.00
	Diameter (mm)	1.00	1.50	2.00
	Length (mm)	19.00	19.00	19.00
1375-035		5090-247	5090-248	5090-249
1375-036		5090-247	5090-248	5090-249
1375-011		5092-247		
1375-032		5092-247		
1375-012		5091-247	5091-248	5091-249

MicroPower & Micro 100 Bur Guards	Swanson Reamers				
	Flutes (mm)	4.00	6.00	6.00	8.00
	Diameter (mm)	2.00	3.00	4.00	5.00
1375-012		5091-242	5091-243	5091-244	5091-245

MicroPower & Micro 100 Bur Guards	Dermabraders - Fine Diamond					N/A	N/A	N/A	N/A	
	Diameter (mm)	2.00	4.00	6.00	4.00	4.00	7.00	12.00	10.00	2.00
	Bur Head Length (mm)				8.00	15.00	15.00	15.00	15.00	19.00
1375-012		5091-260	5091-264	5091-268	5091-270	5091-080	5091-081	5091-082	5091-083	
1375-011					5092-270					

Bur Shank Diameter 2.34mm (0.82")

Products shown at actual size.

All products may not be available in all markets.

	Straight Side Cutting Burs														
		Flutes (mm)	6.00	6.00	6.00	6.00	6.00	6.00	6.00	6.00	6.00	6.00	6.00	6.00	6.00
		Diameter (mm)	1.00	1.10	1.20	1.30	1.30	1.50	1.50	1.50	1.60	1.60	1.70	1.70	1.70
	MicroPower & Micro 100 Bur Guards	Bur Head Length (mm)	5.00	5.00	4.90	9.90	9.90	5.10	8.00	10.00	4.30	7.50	12.00	9.90	9.90
1375-012		5091-201	M10S	5091-216		M13S	5091-204		5091-202	5091-217	M15S			M17S	
1375-011					L13S		5092-204					5092-203	L17S		
1375-020												5092-203			
1375-035 & 1375-036								5089-208							

	Tapered Side-cutting							
		Diameter (mm)	0.80	1.20	1.20	1.20	1.60	1.60
	MicroPower & Micro 100 Bur Guards	Bur Head Length (mm)	4.90	9.90	3.70	9.90	21.60	4.30
1375-012		5091-215	M12T	5091-219			M20T	5091-218
1375-011					L12T			

	Tapered Side-cutting						
		Diameter (mm)	1.60	2.00	2.00	2.00	2.00
	MicroPower & Micro 100 Bur Guards	Bur Head Length (mm)	21.90	7.50	19.00	7.50	19.00
1375-012				5091-206	5091-214		
1375-011			L20T			5092-206	5092-214

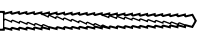
	Barrel Burs			
		Flutes (mm)	6.00	6.00
		Diameter (mm)	2.00	4.00
	MicroPower & Micro 100 Bur Guards	Bur Head Length (mm)	10.00	10.00
1375-012		5091-252	5091-254	
1375-011		5092-252	5092-254	

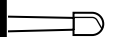
	Oval Burs					
		Flutes (mm)	8.00	8.00	8.00	8.00
		Diameter (mm)	4.00	5.50	4.00	5.50
	MicroPower & Micro 100 Bur Guards	Bur Head Length (mm)	8.00	10.0	7.9	10.0
1375-012		5091-236	5091-238	M40B	M55B	
1375-011		5092-236	5092-238	L40B	L55B	
1375-023		5093-236	5093-238	X40B	X55B	
1387-022		5092-236				



Products shown at actual size.
All products may not be available in all markets.


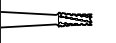
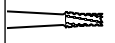
Micro Burs




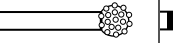
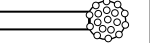


	Lindemann Burs	
	Flutes (mm)	4.00
	Diameter (mm)	1.60
MicroPower & Micro 100 Bur Guards	Bur Head Length (mm)	31.00
1375-012		5091-212

	Cylindrical	
	Flutes (mm)	2.00
	Diameter (mm)	3.00
MicroPower & Micro 100 Bur Guards	Bur Head Length (mm)	4.00
1375-011		5092-291

	Cone Burs		
	Flutes (mm)	8.00	12.00
	Diameter (mm)	4.50	4.50
MicroPower & Micro 100 Bur Guards	Bur Head Length (mm)	12.00	12.00
1375-012		M45C	
1375-011			L45C

	Tapered Cross-cut Fissure Burs			
	Flutes (mm)	701 Type	702 Type	703 Type
	Diameter (mm)	1.20	1.60	2.10
MicroPower & Micro 100 Bur Guards	Bur Head Length (mm)	2.30	3.80	4.90
1375-012		5091-271	5091-272	5091-213
1375-011		5092-271	5092-272	5092-273

	Heavy Grit Diamond-Microbur. X-Long					
MicroPower & Micro 100 bur guards	Diameter (mm0)	2.00	3.00	4.00	5.00	6.00
	Grit	60-70	60-70	40-45	40-45	40-45
1375-033 & 1375-023		5093-282	5093-283	5093-284	5093-285	
1375-032 & 1375-011			5092-283	5092-284	5092-285	5092-286

Products shown at actual size.
All products may not be available in all markets.