



# Endomechanical and Advanced Visualization Product Catalog



**REFLEX<sup>®</sup> ONE**  
SKIN STAPLER



**3DHD DUAL CHANNEL**  
30° ENDOSCOPE



**3DHD DUAL CHANNEL**  
CAMERA HEAD



**50L**  
INSUFFLATOR



Ordering Information .....	3	<b>CORE® Gold Series Trocars</b>	
<b>3DHD Vision System</b>		CORE® Gold Series Disposable Trocar and Cannula .....	21
3DHD Camera Controller and Light Source .....	4	CORE® Gold Series Disposable Trocar and Cannula .....	23
3DHD Camera Heads.....	4	CORE® Gold Series Disposable Trocar and Cannula .....	24
Endoscopes.....	5	<b>Reflex® Trocars</b>	
Laparoscopes.....	5	Reflex® Bladed/Shielded Trocar Systems and Accessories.....	25
DRSHD 1080P High Definition Recording System.....	6	<b>DetachaPort™ Trocars</b>	
Sony Full Page Color Printer .....	6	DetachaPort™ Multi-use Reposable Trocars and Accessories .....	26-28
Insufflators .....	6	<b>2mm, 3mm and Thoracoscopic Trocars</b>	
3DHD 3D Glasses.....	7	Reusable Thoracoscopy Cannula .....	29
3DHD LCD Display.....	7	3mm Introducer for 3mm Instruments .....	29
ZeroWire .....	7	2mm Introducer for 2mm Instruments .....	29
Video Carts .....	8	<b>Insufflation Systems</b>	
Accessories.....	8	Insufflation System .....	30
<b>OnePort® Trocars</b>		Disposable Insufflation Needles and Tubing/Filter Set Systems.....	31
Disposable Bladed/Shielded Trocars .....	9	Laparoscopic Smoke Eliminator .....	31
Disposable Bladed/Shielded Trocars with Ribbed Cannula.....	9	<b>Ligation</b>	
Disposable Dilating Trocars with Ribbed Cannula.....	10	Reflex® Laparoscopic Clip Applicators.....	32
Hasson (Open Technique) Trocars.....	10	<b>Reflex® Skin Staplers</b>	
Reposable Bladed/Shielded Trocar Systems.....	11	ConMed Reflex® Skin Staplers .....	33
Multi-use Titanium Cannulas .....	11	ConMed Reflex® RH — Re-Loadable Rotating Head Skin Staplers.....	34
Multi-use Ribbed Titanium Cannulas.....	11	<b>Hand Held Instruments</b>	
Multi-use Dilating Obturators.....	12	ConMed Disposable Laparoscopic Scissors.....	35
Single-use Seal Bodies .....	12	Reflex® Laparoscopic Disposable Scissors.....	35
Disposable Obturator and Seal Sets.....	12	ConMed Disposable Scissors .....	35
<b>OnePort® Trocar Accessories OnePort® Trocars</b>		ConMed Disposable Graspers (with Ratchet).....	36
Replacement Upper Seals .....	13	ConMed Disposable Dissectors (Non-ratcheting) .....	37
Multi-use Open Entry Components .....	13	DetachaTip® III Multi-Use Instrument System.....	38
Trocar Wound Closure.....	13	DetachaTip® III Multi-Use Dissectors .....	39
PortSaver® Ghost Stick.....	13	DetachaTip® III Multi-Use Handles .....	39
<b>CORE Entree® II Trocars</b>		Multi-Use Instrument Trays.....	39
CORE ENTREE® II Reusable Cannula and Disposable Trocar Modular System .....	14-17	DetachaTip® II Multi-Use Instrument System.....	40
CORE ENTREE® II Accessories.....	18, 19	DetachaTip® II Multi-Use Graspers .....	40
CORE ENTREE® II Reusable Cannula and Trocar Modular System.....	20	DetachaTip® II Multi-Use Handles.....	41
		Multi-Use Instrument Tray .....	41

## Laparoscopic Electrodes

Disposable Laparoscopic Electrodes ..... 42

## CORE® Suction Irrigation

CORE® Suction Irrigation Handpieces ..... 43

CORE® Trumpet, (Single Use, Sterile)..... 43

CORE® Suction Irrigation Cannulae (Reusable) ..... 44

CORE® Laproscopic Electrodes (Reusable)..... 44

## Universal Plus® Suction Irrigation Electrosurgery

Universal Plus® Multifunction Instrument Control Handles ..... 45

Universal S/I® Control Handles (Suction/Irrigation Only) ..... 45

Universal Plus® Laparoscopic Electrodes with  
Suction Irrigation Lumen ..... 46

Universal Plus® Laparoscopic Electrodes with Ultra Non-Stick  
Coating Suction Irrigation Lumen ..... 46

## Universal Plus® Suction Irrigation Cannulae

Standard Suction Irrigation Cannulae ..... 47

## Suction Irrigation Pumps

Surgical Irrigation Pump Systems and Connectors ..... 48

## Suction Irrigation Pump Connectors

Fittings/Connectors for Pump Systems ..... 49

## VCare® and VCare® Dx™

VCare® Vaginal-Cervical Retractor-Elevator ..... 50

VCare® Dx™ ..... 50

## Surgical Specialties

Disposable Laparoscopic Specimen Bags ..... 51

Expose® Single-Use Inflatable Retractors ..... 51

Anti-Fog Kit ..... 51

Irrigation/Aspiration Needles ..... 51

Kittner Blunt Dissectors ..... 51

Reusable Retractors ..... 52

Examine® Cholangiography Catheters ..... 52

## Electrosurgical Cables

Disposable Cords ..... 53

Reusable Cables ..... 53

Footswitch Adapter ..... 53

## EndoCap™

EndoCap™ ..... 54, 55

## Numerical Index

Numerical Index ..... 57-59

## To Place Your Order

Please Contact Your Local Sales Representative or Sales Office, and provide a purchase order number, billing and shipping instructions, terms, product catalog number and description and valid ConMed quotation, and quantity and pricing to one of the following:

## Customer Support

If you encounter a problem or need technical assistance, contact your ConMed Sales Representative or Customer Service. Refer to the Customer Service telephone numbers listed below.

### ConMed U.S. Customer Service for 3DHD Vision System Only

Phone: +1(800) 237-0169  
 Fax: +1(727) 399-5256  
 E-mail: [custserv1@linvatec.com](mailto:custserv1@linvatec.com)

### ConMed International Customer Service for 3DHD Vision System Only

Phone: +1(727) 392-6464  
 Fax: +1(727) 397-4540  
 E-mail: [custserv1@linvatec.com](mailto:custserv1@linvatec.com)

### ConMed U.S. Customer Service

Telephone: +1(800) 448-6506  
 Fax: +1(800) 438-3051

### ConMed International Customer Service

Telephone: +1(315) 797-8375  
 Fax: +1(315) 735-6235

## Terms and Conditions

All ConMed products are manufactured and produced in compliance with the following quality system standards:

- 21CFR 820, US FDA Quality System Regulation
- CMDCAS
- ISO13485
- European MDD, Annex II and V

All Products may not be available for sale in your region. For information on pricing and product availability, please contact your local ConMed representative

All prices and specifications are subject to change without notice. All prices are F.O.F. Utica, New York; Centennial, Colorado; Atlanta, Georgia (F.O.B. Drop Shipment Points where applicable).

CREDIT TERMS: Net 30

## Original Warranty for 3DHD Vision System

ConMed (the "Company") warrants to the first purchaser or lessee ("You" or "Customer") that the parts manufactured by or for the Company have been tested, inspected, and shipped in proper working order.

The Company warrants all new products to be free from defects in materials and workmanship for the following periods, measured from date of sale:

## Original Warranties

Camera Consoles .....	12 Months
Video Components .....	12 Months
Video Cables and Light Guides.....	3 Months
Scopes.....	12 Months
Camera Heads .....	12 Months

## Return Goods Policy

ConMed products may be returned for credit subject to the following:

1. Returned products, except products that are obsolete, discontinued, damaged, and specialty products, may be returned within 60 days after date of purchase. 3DHD camera systems, 2D camera systems, camera accessories, and 50L Insufflator may be returned within 45 days after date of purchase.
2. A copy of the invoice number and date of purchase and a Return Authorization Number must accompany the returned goods with the reason for the return stated in writing. Contact ConMed Customer Service for the Return Authorization Number. For Advanced Visualization products please call 1-800-237-0169, for Endomechanical products please call 1-800-448-6506.
3. All returned goods will be subject to a minimum of 15% restocking charge. The exact amount of credit to be given, if any, will be determined by a Quality Assurance inspection. Sterile packaged products may be returned for credit only if returned in the original, unopened shelf package.
4. If the return is due to our error in shipping, full credit will be given.
5. All returns should be addressed as indicated by Return Authorization.

## Mission Statement

Our mission is to improve the quality of healthcare by designing, producing, and marketing innovative, high-quality products.

Our emphasis is on patient safety, customer satisfaction, and sustained growth of shareholder equity.

In pursuit of our goals, we strive to demonstrate thoughtful leadership, provide meaningful opportunities for employees, and be a responsible member of the global and local communities in which we conduct business.

## Quality Policy

ConMed is committed to maintaining a quality system that provides for safe and effective products and services that meet the needs and requirements of our patients, customers, and company stakeholders.

– Joseph Corasanti  
 CEO, President

### 3DHD Light Source



### 3DHD Camera Controller



### 3DHD Dual Channel Camera Head



### 3DHD Single Channel Camera Head



### 3DHD 2D Camera Head



### Coupler F-27

### 3DHD Camera Controller and Light Source

	Ref. No.
3DHD Camera Controller .....	8170-6
3DHD Light Source.....	8050-2
3DHD Light Guide 4mm.....	8054-8

### 3DHD Camera Heads

3DHD Dual Channel Camera Head.....	8170-9
3DHD Single Channel Camera Head.....	8170-8
3DHD 2D Camera Head.....	8170-7
Coupler F-27.....	8080-02

## Endoscopes

	Ref. No.
3DHD Dual Channel Endoscope 10mm 0° .....	8191-05
3DHD Dual Channel Endoscope 10mm 30° .....	8191-06
3DHD Stereo Endoscope 10mm 0° .....	8191-01
3DHD Stereo Endoscope 10mm 30° .....	8191-02

## Laparoscopes

2DHD Laparoscope HD 5.5mm 0° .....	8090-01
2DHD Laparoscopic HD 5.5mm 30° .....	8090-02



**3DHD Dual Channel Endoscope 10mm 0°**



**3DHD Dual Channel Endoscope 10mm 30°**



**3DHD Stereo Endoscope 10mm 30°**



**2DHD Laparoscopic HD 5.5mm 0°**



**DRSHD 1080P CPU**

**DRS02 HD  
Touch Screen**

## DRSHD 1080P High Definition Recording System

Ref. No.

CPU, HD Recording System .....	DRSHD 1080P
Touch Screen, HD Recording System .....	DRS02



**Sony® UP-DR80MD Full Page Color Printer**

## Sony® Full Page Color Printer\*

Sony® UP-DR80MD Full Page Digital Color Printer .....	UP-DR80MD
Color Printer Pack, Letter Size, 100 Sheets (Includes printer cartridge).....	UPC-R81MD



**ConMed Linvatec 40L Dual Port Insufflator**

## Insufflators

40L Dual Port Insufflator .....	GS1002
50L Insufflator.....	GS2000

For tubing and accessories see Insufflation System page 30



**GS2000**

\*Sony® is a registered trademark of Sony® Electronics, Inc.

### 3DHD 3D Glasses

	Ref. No.
3DHD 3D Glasses (box of 5) .....	8272-15
3DHD Overwear 3D Glasses (box of 5) .....	8272-16
3DHD Premium 3D Glasses (1 each) .....	8272-17
3DHD Premium 3D Glasses (clip on) (1 each) .....	8272-18



**3DHD Overwear 3D Glasses**



**3DHD Premium 3D Glasses**



**3DHD Premium 3D Glasses (Clip On)**

### 3DHD LCD Display

3DHD LCD Display – 24" (Sony®) .....	8272-14
3DHD LCD Display – 32" (Panasonic®*) .....	8273-19



**LCD Display - 32" Panasonic®**

### ZeroWire

ZeroWire DUO, DVI, SDI .....	90T2007
ZeroWire Accessory Kit .....	90Z0131



**ZeroWire**

\*Panasonic® is a registered trademark of Panasonic Corporation Japan.

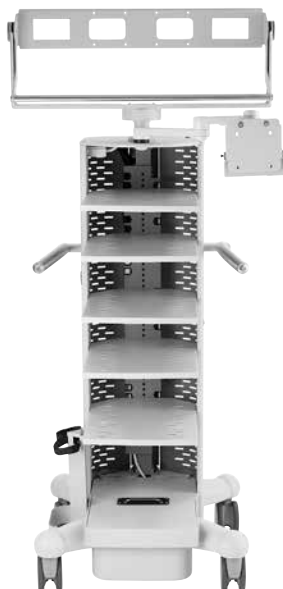




**3DHD Video Cart – 3 shelves**



**Flat Screen Roll Stand**



**VP8500 Video Cart**

## Video Carts

	Ref. No.
3DHD Video Cart – 3 Shelves .....	8075-7
Flat Screen Roll Stand .....	VP4602
Video Cart .....	VP8500
Video Cart 230 Volt .....	VP8501
Video Cart 110 Volt .....	VP8502
Heavy Monitor Post Mount .....	VP8565

## Accessories

Secondary Arm .....	VP8520
Articulating Arm .....	VP8525



### Disposable Bladed/Shielded Trocars

	Ref. No.
5mm Surgical Trocar with Locking Blade Shield.....	BT-05S
70mm length, Single-use, Sterile, 1/pkg, 6/cs	
5mm Surgical Trocar with Locking Blade Shield.....	BT-05
100mm length, Single-use, Sterile, 1/pkg, 6/cs	
5mm Surgical Trocar with Locking Blade Shield.....	BT-05L
150mm length, Single-use, Sterile, 1/pkg, 6/cs	
5-11mm Surgical Trocar with Locking Blade Shield.....	BT-11
100mm length, Single-use, Sterile, 1/pkg, 6/cs	
5-12mm Surgical Trocar with Locking Blade Shield.....	BT-12S
70mm length, Single-use, Sterile, 1/pkg, 6/cs	
5-12mm Surgical Trocar with Locking Blade Shield.....	BT-12
100mm length, Single-use, Sterile, 1/pkg, 6/cs	
5-12mm Surgical Trocar with Locking Blade Shield.....	BT-12L
150mm length, Single-use, Sterile, 1/pkg, 6/cs	

### Disposable Bladed/Shielded Trocars with Ribbed Cannula

5mm Surgical Trocar with Locking Blade Shield.....	BT-05SR
70mm length Ribbed Cannula, Single-use, Sterile, 1/pkg, 6/cs	
5mm Surgical Trocar with Locking Blade Shield.....	BT-05R
100mm length Ribbed Cannula, Single-use, Sterile, 1/pkg, 6/cs	
5mm Surgical Trocar with Locking Blade Shield.....	BT-05LR
150mm length Ribbed Cannula, Single-use, Sterile, 1/pkg, 6/cs	
5-11mm Surgical Trocar with Locking Blade Shield.....	BT-11R
100mm length Ribbed Cannula, Single-use, Sterile, 1/pkg, 6/cs	
5-12mm Surgical Trocar with Locking Blade Shield.....	BT-12SR
70mm length Ribbed Cannula, Single-use, Sterile, 1/pkg, 6/cs	
5-12mm Surgical Trocar with Locking Blade Shield.....	BT-12R
100mm length Ribbed Cannula, Single-use, Sterile, 1/pkg, 6/cs	
5-12mm Surgical Trocar with Locking Blade Shield.....	BT-12LR
150mm length Ribbed Cannula, Single-use, Sterile, 1/pkg, 6/cs	



**Disposable Bladed/Shielded Trocars**



**Disposable Bladed/Shielded Trocars with Ribbed Cannula**



**Disposable Dilating Trocars**



**Disposable Dilating Trocars with Ribbed Cannula**



**Hasson (Open Technique) Trocars**

## Disposable Dilating Trocars

	Ref. No.
5mm Surgical Trocar with Conical Dilating Tip ..... 70mm length, Single-use, Sterile, 1/pkg, 6/cs	DT-05S
5mm Surgical Trocar with Conical Dilating Tip ..... 100mm length, Single-use, Sterile, 1/pkg, 6/cs	DT-05
5mm Surgical Trocar with Conical Dilating Tip ..... 150mm length, Single-use, Sterile, 1/pkg, 6/cs	DT-05L
5-11mm Surgical Trocar with Conical Dilating Tip ..... 100mm length, Single-use, Sterile, 1/pkg, 6/cs	DT-11
5-12mm Surgical Trocar with Conical Dilating Tip ..... 70mm length, Single-use, Sterile, 1/pkg, 6/cs	DT-12S
5-12mm Surgical Trocar with Conical Dilating Tip ..... 100mm length, Single-use, Sterile, 1/pkg, 6/cs	DT-12
5-12mm Surgical Trocar with Conical Dilating Tip ..... 150mm length, Single-use, Sterile, 1/pkg, 6/cs	DT-12L

## Disposable Dilating Trocars with Ribbed Cannula

5mm Surgical Trocar with Conical Dilating Tip ..... 70mm length Ribbed Cannula, Single-use, Sterile, 1/pkg, 6/cs	DT-05SR
5mm Surgical Trocar with Conical Dilating Tip ..... 100mm length Ribbed Cannula, Single-use, Sterile, 1/pkg, 6/cs	DT-05R
5mm Surgical Trocar with Conical Dilating Tip ..... 150mm length Ribbed Cannula, Single-use, Sterile, 1/pkg, 6/cs	DT-05LR
5-11mm Surgical Trocar with Conical Dilating Tip ..... 100mm length Ribbed Cannula, Single-use, Sterile, 1/pkg, 6/cs	DT-11R
5-12mm Surgical Trocar with Conical Dilating Tip ..... 70mm length Ribbed Cannula, Single-use, Sterile, 1/pkg, 6/cs	DT-12SR
5-12mm Surgical Trocar with Conical Dilating Tip ..... 100mm length Ribbed Cannula, Single-use, Sterile, 1/pkg, 6/cs	DT-12R
5-12mm Surgical Trocar with Conical Dilating Tip ..... 150mm length Ribbed Cannula, Single-use, Sterile, 1/pkg, 6/cs	DT-12LR

## Hasson (Open Technique) Trocars

5-12mm Blunt Tip Trocar (Open Technique) ..... 100mm length, Single-use, Sterile, 1/pkg, 6/cs	HT-12
--	-------



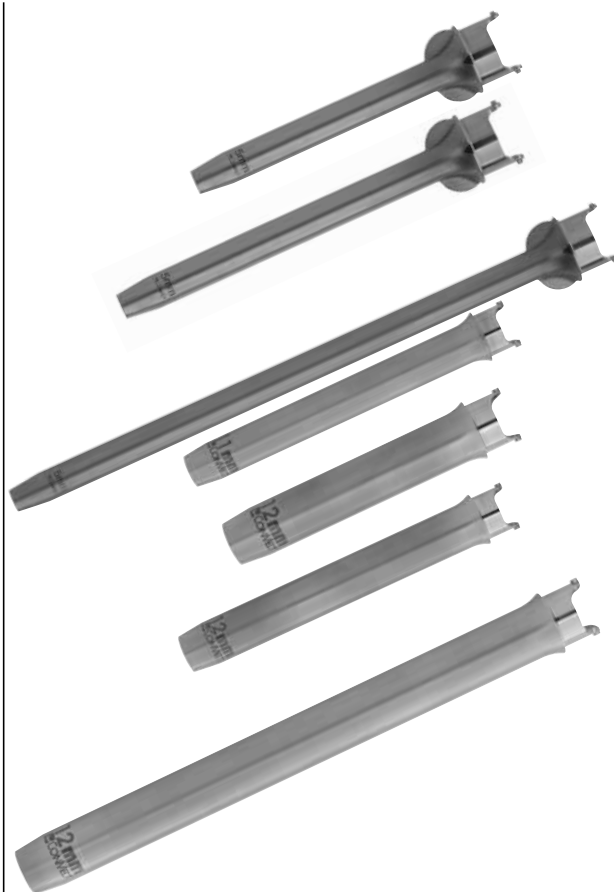
## Reusable Bladed/Shielded Trocar Systems

### Multi-use Titanium Cannulas

	Ref. No.
5mm Diameter Cannula ..... 70mm length, Multi-use, 1/box	RC-05S
5mm Diameter Cannula ..... 100mm length, Multi-use, 1/box	RC-05
5mm Diameter Cannula ..... 150mm length, Multi-use, 1/box	RC-05L
11mm Diameter Cannula ..... 100mm length, Multi-use, 1/box	RC-11
12mm Diameter Cannula ..... 70mm length, Multi-use, 1/box	RC-12S
12mm Diameter Cannula ..... 100mm length, Multi-use, 1/box	RC-12
12mm Diameter Cannula ..... 150mm length, Multi-use, 1/box	RC-12L

### Multi-use Ribbed Titanium Cannulas

5mm Diameter Ribbed Cannula ..... 70mm length, Multi-use, 1/box	RC-05SR
5mm Diameter Ribbed Cannula ..... 100mm length, Multi-use, 1/box	RC-05R
5mm Diameter Ribbed Cannula ..... 150mm length, Multi-use, 1/box	RC-05LR
11mm Diameter Ribbed Cannula ..... 100mm length, Multi-use, 1/box	RC-11R
12mm Diameter Ribbed Cannula ..... 70mm length, Multi-use, 1/box	RC-12SR
12mm Diameter Ribbed Cannula ..... 100mm length, Multi-use, 1/box	RC-12R
12mm Diameter Ribbed Cannula ..... 150mm length, Multi-use, 1/box	RC-12LR



**Multi-use Titanium Cannulas**



**Multi-use Ribbed Titanium Cannulas**



**Multi-use Dilating Obturators**



**Single-use Seal Body**



**Disposable Obturator and Seal Set**



## Multi-use Dilating Obturators

	Ref. No.
5mm Diameter Obturator ..... 70mm length, Multi-use, 1/box	RD-05S
5mm Diameter Obturator ..... 100mm length, Multi-use, 1/box	RD-05
5mm Diameter Obturator ..... 150mm length, Multi-use, 1/box	RD-05L
11mm Diameter Obturator ..... 100mm length, Multi-use, 1/box	RD-11
12mm Diameter Obturator ..... 70mm length, Multi-use, 1/box	RD-12S
12mm Diameter Obturator ..... 100mm length, Multi-use, 1/box	RD-12
12mm Diameter Obturator ..... 150mm length, Multi-use, 1/box	RD-12L

## Single-use Seal Bodies

10/12mm Seal Body, Single-use, Sterile, 1/pkg, 6/cs .....	SB-02
5-12mm Universal Seal Body, Single-use, Sterile, 1/pkg, 6/cs.....	SB-12

## Disposable Obturator and Seal Sets

(1) 5 x 70mm Bladed Obturator with Locking Shield.....	RBT-05S
(1) 5mm Seal Body, Single-use, Sterile, 1/pkg, 6/cs	
(1) 5 x 100mm Bladed Obturator with Locking Shield.....	RBT-05
(1) 5mm Seal Body, Single-use, Sterile, 1/pkg, 6/cs	
(1) 5 x 150mm Bladed Obturator with Locking Shield.....	RBT-05L
(1) 5mm Seal Body, Single-use, Sterile, 1/pkg, 6/cs	
(1) 11 x 100mm Bladed Obturator with Locking Shield.....	RBT-11
(1) 5-12mm Seal Body, Single-use, Sterile, 1/pkg, 6/cs	
(1) 12 x 70mm Bladed Obturator with Locking Shield.....	RBT-12S
(1) 5-12mm Seal Body, Single-use, Sterile, 1/pkg, 6/cs	
(1) 12 x 100mm Bladed Obturator with Locking Shield.....	RBT-12
(1) 5-12mm Seal Body, Single-use, Sterile, 1/pkg, 6/cs	
(1) 12 x 150mm Bladed Obturator with Locking Shield.....	RBT-12L
(1) 5-12mm Seal Body, Single-use, Sterile, 1/pkg, 6/c	



### Replacement Upper Seals

	Ref. No.
10/12mm Replacement Upper Seal, Single-use, Sterile, 1/pkg, 10/cs.....	US-02
5-12mm Replacement Upper Seal, Single-use, Sterile, 1/pkg, 10/cs .....	US-12

### Multi-use Open Entry Components

12mm Diameter Open Entry Obturator.....	RHT-12
100mm length, Multi-use, 1/box	
12mm Diameter Open Entry Obturator.....	RHT-12L
150mm length, Multi-use, 1/box	
12mm Diameter Open Entry Trocar Wedge.....	RW-12
Multi-use, 1/box	
12mm Diameter Open Entry Trocar Wedge Silicon Seal Replacement.....	WS-12
Multi-use, 1/box, 10/cs	

### Trocar Wound Closure

Puncture Closure Device.....	PCD-10
10mm, Single-use, Sterile, 1/pkg, 10/cs	

### Maciol Suture Needle Sets

Straight Introducer and Straight Receiver, Reusable, 1/set .....	CD920
Curved Introducer and Straight Receiver, Reusable, 1/set.....	CD940

### PortSaver® Ghost Stick

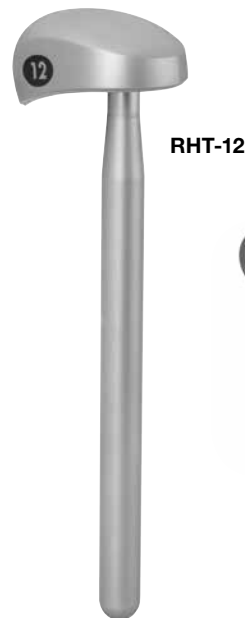
10mm Diameter, 46cm Length, Multi-use, Non-Sterile, 1 each.....	1-7042
---	--------



US-02



US-12



RHT-12



RW-12



WS-12





**CD1605**



**CD1606**



**CD1612**



**CD1605FH**



**CD1606FH**



**CD1612FH**

## CORE ENTREE® II Reusable Cannula and Disposable Trocar Modular System

### CORE ENTREE® II Cannula, Reusable

	Ref. No.
CORE ENTREE® II 5mm Cannula, 55mm length without stopcock ..... 1 each/box.	CD1605
CORE ENTREE® II 5mm Cannula, 55mm length ..... 1 each/box.	CD1606
CORE ENTREE® II 5mm Cannula, 100mm length without stopcock ..... 1 each/box.	CD1608
CORE ENTREE® II 5mm Cannula, 100mm length ..... 1 each/box.	CD1609
CORE ENTREE® II 7/8mm Cannula, 90mm length ..... 1 each/box.	CD1607
CORE ENTREE® II 10mm Cannula, 110mm length ..... 1 each/box.	CD1610
CORE ENTREE® II 10/12mm Cannula, 100mm length ..... 1 each/box.	CD1612

### CORE ENTREE® II Cannula with Fascia Threads, Reusable

CORE ENTREE® II 5mm Cannula, 55mm length without stopcock ..... 1 each/box.	CD1605FH
CORE ENTREE® II 5mm Cannula, 55mm length ..... 1 each/box.	CD1606FH
CORE ENTREE® II 5mm Cannula, 100mm length without stopcock ..... 1 each/box.	CD1608FH
CORE ENTREE® II 5mm Cannula, 100mm length ..... 1 each/box.	CD1609FH
CORE ENTREE® II 7/8mm Cannula, 90mm length ..... 1 each/box.	CD1607FH
CORE ENTREE® II 10mm Cannula, 110mm length ..... 1 each/box.	CD1610FH
CORE ENTREE® II 10/12mm Cannula, 100mm length ..... 1 each/box.	CD1612FH

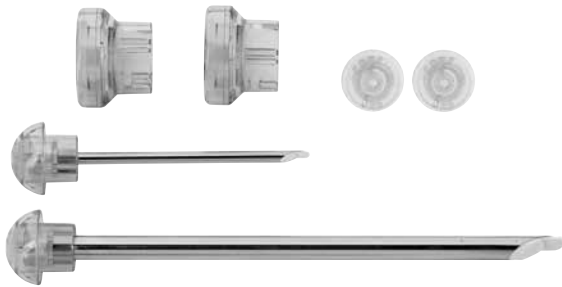
## CORE ENTREE® II Reusable Cannula and Disposable Trocar Modular System

### Trocar Procedure Kits

	Ref. No.
5mm Trocar Procedure Kit .....	CD6300P
1 each – 5mm CORE ENTREE® II Trocar, 55mm length	
2 each – 5mm CORE ENTREE® II Cannula Valve	
Sterile, 10 kits/box.	
5mm Trocar Procedure Kit .....	CD6350P
1 each – 5mm CORE ENTREE® II Trocar, 100mm length	
2 each – 5mm CORE ENTREE® II Cannula Valve	
Sterile, 10 kits/box.	
5mm Trocar Procedure Kit .....	CD7100G
1 each – 5mm CORE Audible Dilating Trocar, 55mm length	
2 each – 5mm CORE ENTREE® II Cannula Valve	
Sterile, 10 kits/box.	
5mm Trocar Procedure Kit .....	CD7150G
1 each – 5mm CORE Audible Dilating Trocar, 100mm length	
2 each – 5mm CORE ENTREE® II Cannula Valve	
Sterile, 10 kits/box.	
7/8mm Trocar Procedure Kit .....	CD6378P
1 each – 7/8mm CORE ENTREE® Plus Trocar, 90mm length	
1 each – 5-12mm CORE ENTREE® II Valve/Reducer	
Sterile, 10 kits/box.	
7/8mm Trocar Procedure Kit .....	CD7308G
1 each – 7/8mm CORE Audible Dilating Trocar, 90mm length	
1 each – 5-12mm CORE ENTREE® II Valve/Reducer	
Sterile, 10 kits/box.	
Lap Chole 5 and 10mm Trocar Procedure Kit .....	CD7413G
1 each – 10mm CORE Audible Dilating Trocar, 110mm length	
2 each – 5-12mm CORE ENTREE® II Valve/Reducer	
1 each – 5mm CORE ENTREE® II Trocar, long length	
2 each – 5mm CORE ENTREE® II Cannula Valve	
Sterile, 10 kits/box.	
Lap Chole 5 and 10mm Trocar Procedure Kit .....	CD7410G
1 each – 10mm CORE Audible Dilating Trocar, 110mm length	
1 each – 5-12mm CORE ENTREE® II Valve/Reducer	
1 each – 5mm CORE ENTREE® II Trocar, long length	
3 each – 5mm CORE ENTREE® II Cannula Valve	
Sterile, 10 kits/box.	
Lap Chole 5 and 10mm Trocar Procedure Kit .....	CD7420G
1 each – 10mm CORE Audible Dilating Trocar, 110mm length	
1 each – 5-12mm CORE ENTREE® II Valve/Reducer	
1 each – 5mm CORE Audible Dilating Trocar, short length	
3 each – 5mm CORE ENTREE® II Cannula Valve	
Sterile, 10 kits/box.	







**CD7430G**



**CD7500G**

## CORE ENTREE® II Reusable Cannula and Disposable Trocar Modular System

### Trocar Procedure Kits (continued)

	Ref. No.
Lap Chole 5 and 10mm Trocar Procedure Kit .....	CD7430G
1 each – 10mm CORE Audible Dilating Trocar, 110mm length	
2 each – 5-12mm CORE ENTREE® II Valve/Reducer	
1 each – 5mm CORE Audible Dilating Trocar, 55mm length	
2 each – 5mm CORE ENTREE® II Cannula Valve	
Sterile, 10 kits/box.	
Lap Chole 5 and 10mm Trocar Procedure Kit .....	CD7435G
1 each – 10mm CORE Audible Dilating Trocar, 110mm length	
2 each – 5-12mm CORE ENTREE® II Valve/Reducer	
1 each – 5mm CORE Audible Dilating Trocar, 100mm length	
2 each – 5mm CORE ENTREE® II Cannula Valve	
Sterile, 10 kits/box.	
10mm Trocar Procedure Kit .....	CD7465G
1 each – 10mm CORE Audible Dilating Trocar, 110mm length	
1 each – 5-12mm CORE ENTREE® II Valve/Reducer	
Sterile, 10 kits/box.	
Lap Chole 5 and 10/12mm Trocar Procedure Kit .....	CD7513G
1 each – 10/12mm CORE Audible Dilating Trocar, 100mm length	
2 each – 5-12mm CORE ENTREE® II Valve/Reducer	
1 each – 5mm CORE ENTREE® II Trocar, 100mm length	
2 each – 5mm CORE ENTREE® II Cannula Valve	
Sterile, 10 kits/box.	
Lap Chole 5 and 10/12mm Trocar Procedure Kit .....	CD7530G
1 each – 10/12mm CORE Audible Dilating Trocar, 100mm length	
2 each – 5-12mm CORE ENTREE® II Valve/Reducer	
1 each – 5mm CORE Audible Dilating Trocar, 55mm length	
2 each – 5mm CORE ENTREE® II Cannula Valve	
Sterile, 10 kits/box.	
Lap Chole 5 and 10/12mm Trocar Procedure Kit .....	CD7535G
1 each – 10/12mm CORE Audible Dilating Trocar, 100mm length	
2 each – 5-12mm CORE ENTREE® II Valve/Reducer	
1 each – 5mm CORE Audible Dilating Trocar, 100mm length	
2 each – 5mm CORE ENTREE® II Cannula Valve	
Sterile, 10 kits/box.	
5 and 10/12mm Trocar Procedure Kit .....	CD7500G
1 each – 10/12mm CORE Audible Dilating Trocar, 100mm length	
1 each – 5mm CORE ENTREE® II Trocar, 100mm length	
2 each – 5mm CORE ENTREE® II Cannula Valve	
Sterile, 10 kits/box.	

## CORE ENTREE® II Reusable Cannula and Disposable Trocar Modular System

### Trocar Procedure Kits (continued)

	Ref. No.
10/12mm Trocar Single Puncture Procedure Kit .....	CD7565G
1 each – 10/12mm CORE Audible Dilating Trocar, 100mm length	
1 each – 5mm CORE ENTREE® II Valve/Reducer	
Sterile, 10 kits/box.	
10/12mm CORE Audible Dilating Trocar with shield, 100mm length .....	CD7012G
Sterile, 10 each/box.	
10mm CORE Audible Dilating Trocar with shield, 110mm length .....	CD7010G
Sterile, 10 each/box.	
7/8mm CORE Audible Dilating Trocar with shield, 90mm length .....	CD7008G
Sterile, 10 each/box.	
CORE ENTREE® II 5-12mm Valve/Reducer .....	CD775
Sterile, 10 each/box.	
CORE ENTREE® II 5/10/12mm Valve/Flip-Top Reducer .....	CD612
Sterile, 10 each/box.	
CORE ENTREE® II 5mm Cannula Valve .....	CD650
Sterile, 10 each/box.	
10-12mm CORE ENTREE® II Cannula Valve .....	CD660
Sterile, 10 each/box.	





CD220

## CORE ENTREE® II Accessories

### Open Laparoscopy Adapter

	Ref. No.
Open Laparoscopy Adapter and 5mm Blunt Tip Trocar ..... 5mm Pediatric, 100mm length, Reusable, 1 each/box.	CD1402
Open Laparoscopy Adapter and 5mm Blunt Tip Trocar ..... 5mm Adult, 100mm length, Reusable, 1 each/box.	CD1404
Open Laparoscopy Adapter and Blunt Tip Trocar ..... 10mm, 110 length, Reusable, 1 each/box.	CD1403
Open Laparoscopy Adapter and Blunt Tip Trocar ..... 10/12mm, 100 length, Reusable, 1 each/box.	CD1406

### Fascia Anchor Adapter

5/5.5mm Fascia Anchor Adapter ..... Reusable, 1 each/box.	CD405
7/8mm Fascia Anchor Adapter ..... Reusable, 1 each/box.	CD408
10mm Fascia Anchor Adapter ..... Reusable, 1 each/box.	CD411
10/12mm Fascia Anchor Adapter ..... Reusable, 1 each/box.	CD412

### Cannula Obturator

5/5.5mm Radiotranslucent Rod for Cholangiograms ..... Reusable, 1 each/box.	CD215
10mm Radiotranslucent Rod for Cholangiograms ..... Reusable, 1 each/box.	CD220
10/12mm Radiotranslucent Rod for Cholangiograms ..... Reusable, 1 each/box.	CD225

## CORE ENTREE® II Accessories

### Trocar

	Ref. No.
5mm Trocar, 55mm length, Reusable, 1 each/box .....	CD6300P-I
5mm Trocar, 100mm length, Reusable, 1 each/box .....	CD6350P-I
7/8mm Trocar, 90mm length, Reusable, 1 each/box .....	CD5080P-I
10mm Trocar, 110mm length, Reusable, 1 each/box .....	*CD4011P-I
10/12mm Trocar, 100mm length, Reusable, 1 each/box .....	*CD4012P-I

\* To be used only with 5/10/12mm CORE ENTREE® II Cannula Valve (CD612).

### CORE ENTREE® II Cannula and Trocar Set

5mm CORE ENTREE® II Cannula and Trocar Set, 150mm length .....	CD1525
Reusable, 1 each/box.	
10mm CORE ENTREE® II Cannula and Trocar Set, 150mm length .....	CD1526
Reusable, 1 each/box.	
10/12mm CORE ENTREE® II Cannula and Trocar Set, 150mm length .....	CD1527
Reusable, 1 each/box.	





**CD720**



**CD513**



**CD516**



**CD511**



**CD513B**



**CD516B**

## CORE ENTREE® II Reusable Cannula and Trocar Modular System

### CORE Seal II

Ref. No.

5-12mm CORE Seal II Reducer ..... CD720  
Sterile, 10 each/box.

### Universal Reducer, Sterile

5/10/12mm 3-Hole Universal Reducer ..... CD513  
Sterile, 10 each/box.

5/10/12mm Flip Top Universal Reducer ..... CD516  
Sterile, 10 each/box.

5/10mm Flip Top Universal Reducer ..... CD511  
Sterile, 10 each/box.

### Universal Reducer, Non-sterile

5/10/12mm 3-Hole Universal Reducer ..... CD513B  
Non-sterile, 10 each/box.

5/10/12mm Flip Top Universal Reducer ..... CD516B  
Non-sterile, 10 each/box.

5/10mm Flip Top Universal Reducer ..... CD511B  
Non-sterile, 10 each/box.

## CORE® Gold Series Disposable Trocar and Cannula

### 5mm Trocar and Cannula, Sterile

	Ref. No.
5mm Trocar and Cannula, 50mm Length (Single Pack) ..... Sterile, 10 each/box.	CD1705
5mm Trocar and Cannula, 50mm Length (Dual Pack) ..... Sterile, 10 each/box.	CD1706
5mm Trocar and Cannula with Stopcock, 50mm Length (Single Pack) ..... Sterile, 10 each/box.	CD1708
5mm Trocar and Cannula, 65mm Length (Single Pack) ..... Sterile, 10 each/box.	CD1722
5mm Trocar and Cannula, 65mm Length (Dual Pack) ..... Sterile, 10 each/box.	CD1723
5mm Trocar and Cannula with Stopcock, 65mm Length (Single Pack) ..... Sterile, 10 each/box.	CD1728
5mm Trocar and Cannula with Stopcock, 65mm Length (Dual Pack) ..... Sterile, 10 each/box.	CD1729
5mm Trocar and Cannula with Stopcock, 100mm Length (Single Pack) ..... Sterile, 10 each/box.	CD1735
5mm Trocar and Cannula with Stopcock, 100mm Length (Dual Pack) ..... Sterile, 10 each/box.	CD1737



**CD1705**



**CD1708**



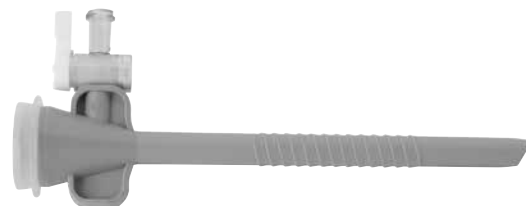
**CD1722**



**CD1728**



**CD1735**





**CD1922**



**CD1928**



**CD1935**



## 5mm CORE® Audible Dilating Trocar and Cannula, Sterile

Ref. No.

5mm CORE® Audible Dilating Trocar and Cannula ..... CD1922  
65mm Length, (Single Pack), Sterile, 10 each/box.

5mm CORE® Audible Dilating Trocar and Cannula ..... CD1923  
65mm Length, (Dual Pack), Sterile, 10 each/box.

5mm CORE® Audible Dilating Trocar and Cannula with Stopcock ..... CD1928  
65mm Length, (Single Pack), Sterile, 10 each/box.

5mm CORE® Audible Dilating Trocar and Cannula with Stopcock ..... CD1930  
65mm Length, (Dual Pack), Sterile, 10 each/box.

5mm CORE® Audible Dilating Trocar and Cannula with Stopcock ..... CD1935  
100mm Length, (Single Pack), Sterile, 10 each/box.

5mm CORE® Audible Dilating Trocar and Cannula with Stopcock ..... CD1937  
100mm Length, (Dual Pack), Sterile, 10 each/box.

## CORE® Gold Series Disposable Trocar and Cannula

### 5mm Disposable Cannula, Sterile

	Ref. No.
5mm Disposable Cannula, 50mm Length ..... Sterile, 10 each/box.	CD1907
5mm Disposable Cannula with Stopcock, 50mm Length..... Sterile, 10 each/box.	CD1909
5mm Disposable Cannula, 65mm Length..... Sterile, 10 each/box.	CD1921
5mm Disposable Cannula with Stopcock, 65mm Length ..... Sterile, 10 each/box.	CD1929
5mm Disposable Cannula with Stopcock, 100mm Length..... Sterile, 10 each/box.	CD1939

### 7/8mm CORE® Audible Dilating Trocar and Cannula, Sterile

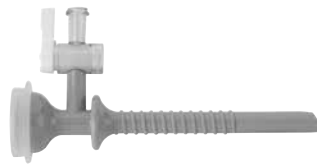
7/8mm CORE® Audible Dilating Trocar and Cannula with Stopcock ..... 90mm Length, Sterile, 10 each/box.	CD1940
---	--------

### 10mm CORE® Audible Dilating Trocar and Cannula, Sterile

10mm CORE® Audible Dilating Trocar and Cannula with Stopcock ..... 110mm Length, (Single Pack), Sterile, 10 each/box.	CD1950
10mm CORE® Audible Dilating Trocar and Cannula with Stopcock ..... 110mm Length, (Dual Pack), Sterile, 10 each/box.	CD1952



**CD1907**



**CD1929**



**CD1939**



**CD1950**

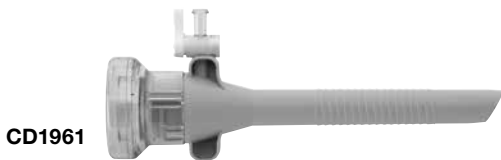




CD1960



CD1951



CD1961



CD1982

## CORE® Gold Series Disposable Trocar and Cannula

### 10/12mm CORE® Audible Dilating Trocar and Cannula, Sterile

Ref. No.

10/12mm CORE® Audible Dilating Trocar and Cannula with Stopcock ..... CD1960  
100mm Length, (Single Pack), Sterile, 10 each/box.

### 5 & 10mm Trocar and Cannula Procedure Kits, Sterile

Lap Chole 5 and 10mm Trocar and Cannula Procedure Kit ..... CD1970  
1 each – 10mm CORE® Audible Dilating Trocar, 110mm length  
2 each – 10mm Disposable Cannula with Stopcock, 110mm length  
1 each – 5mm CORE® Audible Dilating Trocar, 65mm length  
2 each – 5mm Disposable Cannula with Stopcock, 65mm length  
1 each – Anti-fog/Lubrication Kit  
Sterile, 6 kits/box.

Lap Chole 5 and 10mm Trocar and Cannula Procedure Kit ..... CD1972  
1 each – 10mm CORE® Audible Dilating Trocar, 110mm length  
2 each – 10mm Disposable Cannula with Stopcock, 110mm length  
1 each – 5mm CORE® Audible Dilating Trocar, 100mm length  
2 each – 5mm Disposable Cannula with Stopcock, 100mm length  
1 each – Anti-fog/Lubrication Kit  
Sterile, 6 kits/box.

### 5 & 10mm Trocar and Cannula Procedure Kits, Sterile

Lap Chole 5 and 10mm Trocar and Cannula Procedure Kit ..... CD1975  
1 each – 10/12mm CORE® Audible Dilating Trocar, 100mm length  
2 each – 10/12mm Disposable Cannula with Stopcock, 100mm length  
1 each – 5mm CORE® Audible Dilating Trocar, 65mm length  
2 each – 5mm Disposable Cannula with Stopcock, 65mm length  
1 each – Anti-fog/Lubrication Kit  
Sterile, 6 kits/box.

Lap Chole 5 and 10mm Trocar and Cannula Procedure Kit ..... CD1977  
1 each – 10/12mm CORE® Audible Dilating Trocar, 100mm length  
2 each – 10/12mm Disposable Cannula with Stopcock, 100mm length  
1 each – 5mm CORE® Audible Dilating Trocar, 100mm length  
2 each – 5mm Disposable Cannula with Stopcock, 100mm length  
1 each – Anti-fog/Lubrication Kit  
Sterile, 6 kits/box.

### 10mm Cannula, Sterile

10mm Cannula with Stopcock, 110mm length ..... CD1951  
Sterile, 10 each/box.

### 10/12mm Cannula, Sterile

10/12mm Cannula with Stopcock, 100mm length ..... CD1961  
Sterile, 10 each/box.

### 10/12mm Open Laparoscopic Blunt Trocar and Cannula

10/12mm Open Laparoscopic Blunt Trocar and Cannula ..... CD1982  
with adjustable suture wing, 100mm length  
Sterile, 10 each/box.

## Reflex® Bladed/Shielded Trocar Systems and Accessories

	Ref. No.
Surgical Trocar with Internal Shield, 5mm diameter ..... Single-use, Sterile, 1/pkg, 6/cs.	16050
Surgical Trocar with Internal Shield, 10/11mm diameter ..... Single-use, Sterile, 1/pkg, 6/cs.	16160
Surgical Trocar with Internal Shield, 10/12mm diameter ..... Single-use, Sterile, 1/pkg, 6/cs.	16020
Long Surgical Trocar with Internal Shield, 10/12mm diameter ..... (150mm length), Single-use, Sterile, 1/pkg, 6/cs.	16220
Surgical Trocar Sleeve, 5mm diameter Single-use, Sterile, 1/pkg, 6/cs.....	16052
Surgical Trocar Sleeve, 10/11mm diameter ..... Single-use, Sterile, 1/pkg, 6/cs.	16162
Surgical Trocar Sleeve, 10/12mm diameter ..... Single-use, Sterile, 1/pkg, 6/cs.	16022
Blunt Tip (Hasson Style) Surgical Trocar, 10/11mm diameter ..... Single-use, Sterile, 1/pkg, 6/cs.	16150
Surgical Trocar with Universal Converter, 5-11mm diameter ..... Single-use, Sterile, 1/pkg, 6/cs.	16911
Surgical Trocar with Universal Converter, 5-12mm diameter ..... Single-use, Sterile, 1/pkg, 6/cs.	16912
Universal Converter, 5-12mm diameter ..... Single-use, Sterile, 1/pkg, 6/cs.	1700
Converter, 5mm diameter Single-use, Sterile, 1/pkg, 6/cs.....	1705
Converter, 7/8mm diameter Single-use, Sterile, 1/pkg, 6/cs. ....	1778
Site Stability Device, 5mm diameter Single-use, Sterile, 1/pkg, 6/cs. ....	1805
Site Stability Device, 10/11mm diameter ..... Single-use, Sterile, 1/pkg, 6/cs.	1816
Site Stability Device, 10/12mm diameter ..... Single-use, Sterile, 1/pkg, 6/cs.	1802



**16020**



**16162**



**16150**



**1700**



**1705**

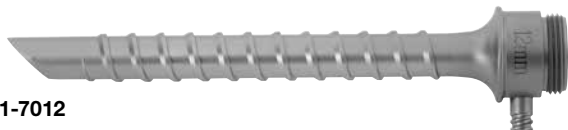


**1802**

1-7002



1-7012



1-7013



1-7045



## DetachaPort™ Multi-use Reusable Trocars and Accessories

### Multi-use Titanium Cannulas

	Ref. No.
DetachaPort™ Cannula, 5mm diameter, 70mm length ..... Non-Sterile, 1 each.	1-7001
DetachaPort™ Cannula, 5mm diameter, 100mm length ..... Non-Sterile, 1 each.	1-7002
DetachaPort™ Cannula, 10mm diameter, 100mm length ..... Non-Sterile, 1 each.	1-7003
DetachaPort™ Cannula, 12mm diameter, 100mm length ..... Non-Sterile, 1 each.	1-7005
DetachaPort™ Cannula, 12mm diameter, 150mm length ..... Non-Sterile, 1 each.	1-7006
DetachaPort™ Threaded Cannula, 5mm diameter, 70mm length ..... Non-Sterile, 1 each.	1-7007
DetachaPort™ Threaded Cannula, 5mm diameter, 100mm length ..... Non-Sterile, 1 each.	1-7008
DetachaPort™ Threaded Cannula, 10mm diameter, 100mm length ..... Non-Sterile, 1 each.	1-7009
DetachaPort™ Threaded Cannula, 12mm diameter, 100mm length ..... Non-Sterile, 1 each.	1-7011
DetachaPort™ Threaded Cannula, 12mm diameter, 150mm length ..... Non-Sterile, 1 each.	1-7012

### Single-use Seals

DetachaPort™ Seal, 5mm diameter ..... Each seal includes one stopcock. Sterile, 10/cs.	1-7013
DetachaPort™ Seal, 10/12mm diameter with reducer ..... Each seal includes one stopcock. Sterile, 10/cs.	1-7044

### Single-use Converters

DetachaPort™ UCSII™ Universal Converter, 5mm, 10/12mm ..... Each seal includes one stopcock. Sterile, 10/cs.	1-7045
---	--------

## DetachaPort™ Multi-use Reusable Trocars and Accessories

### Single-use Obturator and Seal Sets

	Ref. No.
DetachaPort™ Obturator and Seal Set ..... (1) 5mm obturator (70mm length) and (1) 5mm seal Sterile, 10/cs. (Each set includes one stopcock for every seal.)	1-7016
DetachaPort™ Obturator and Seal Set ..... (1) 5mm obturator (70mm length) and (2) 5mm seal Sterile, 10/cs. (Each set includes one stopcock for every seal.)	1-7017
DetachaPort™ Obturator and Seal Set ..... (1) 5mm obturator (100mm length) and (1) 5mm seal Sterile, 10/cs. (Each set includes one stopcock for every seal.)	1-7018
DetachaPort™ Obturator and Seal Set ..... (1) 5mm obturator (100mm length) and (2) 5mm seal Sterile, 10/cs. (Each set includes one stopcock for every seal.)	1-7019
DetachaPort™ Obturator and Seal Set ..... (1) 10mm obturator (100mm length) and (1) 10/12mm seal with reducer Sterile, 10/cs. (Each set includes one stopcock for every seal.)	1-7020
DetachaPort™ Obturator and Seal Set ..... (1) 10mm obturator (100mm length) and (2) 10/12mm seals with reducers Sterile, 10/cs. (Each set includes one stopcock for every seal.)	1-7021
DetachaPort™ Obturator and Seal Set ..... (1) 12mm obturator (100mm length) and (1) 10/12mm seal with reducer Sterile, 10/cs. (Each set includes one stopcock for every seal.)	1-7024
DetachaPort™ Obturator and Seal Set ..... (1) 12mm obturator (100mm length) and (2) 10/12mm seals with reducers Sterile, 10/cs. (Each set includes one stopcock for every seal.)	1-7025
DetachaPort™ Obturator and Seal Set ..... (1) 12mm obturator (150mm length) and (1) 10/12mm seal with reducer Sterile, 10/cs. (Each set includes one stopcock for every seal.)	1-7026
DetachaPort™ Obturator and Seal Set ..... (1) 12mm obturator (100mm length) and (3) 10/12mm seals with reducers Sterile, 10/cs. (Each set includes one stopcock for every seal.)	1-7028





1-7056



1-7057

## DetachaPort™ Multi-use Reusable Trocars and Accessories

### Multi-use Open Entry Obturators

	Ref. No.
DetachaPort™ Open Entry Obturator, 12mm diameter, 100mm length ..... Non-Sterile, 1/pkg.	1-7055
DetachaPort™ Open Entry Obturator, 12mm diameter, 150mm length ..... Non-Sterile, 1/pkg.	1-7056

### Multi-use Open Entry Wedge

DetachaPort™ Open Entry Trocar Wedge, 12mm diameter ..... Non-Sterile, 1 each.	1-7057
DetachaPort™ Open Entry Trocar Wedge ..... Wedge silicone, seal replacement. Non-Sterile, 10/pkg.	1-7052

## Reusable Thoracoscopy Cannula

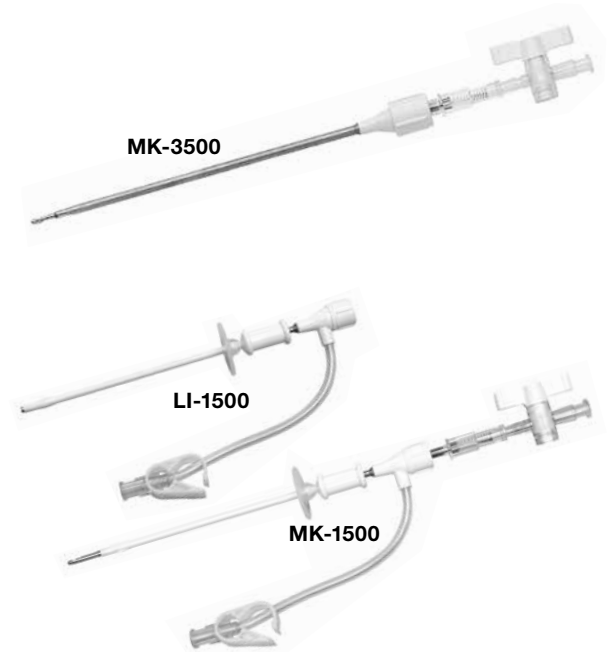
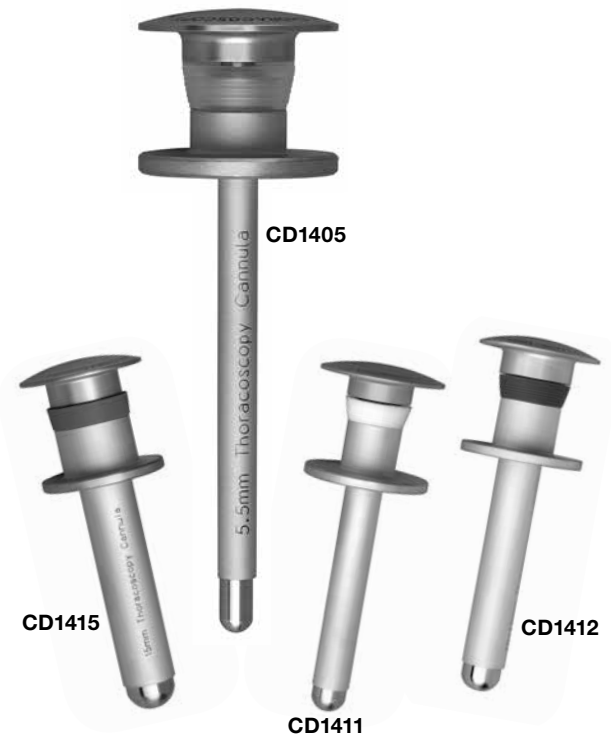
	Ref. No.
5mm Thoracoscopic Cannula with Blunt Tip Trocar ..... 60mm length, Multi-use, Non-sterile, 1/pkg (Uses Seal CD155 or CD155B. Sold separately.)	CD1405
10/11mm Thoracoscopic Cannula with Blunt Tip Trocar ..... 60mm length, Multi-use, Non-sterile, 1/pkg (Uses Seal CD111 or CD111B. Sold separately.)	CD1411
10/12mm Thoracoscopic Cannula with Blunt Tip Trocar ..... 60mm length, Multi-use, Non-sterile, 1/pkg (Uses Seal CD112 or CD112B. Sold separately.)	CD1412
15mm Thoracoscopic Cannula with Blunt Tip Trocar ..... 60mm length, Multi-use, Non-sterile, 1/pkg (Uses Seal CD116 or CD116B. Sold separately.)	CD1415

## 3mm Introducer for 3mm Instruments

3mm Introducer with single-use insufflation needle ..... Single-use, Sterile, 1/pkg, 10/cs	MK-3500
---	---------

## 2mm Introducer for 2mm Instruments

2mm Introducer — primary site, Single-use, Sterile, 1/pkg, 10/cs .....	LI-1500
2mm Introducer — primary site, 2nd site introducer and insufflation needle ..... Single-use, Sterile, 1/pkg, 10/cs	MK-1500





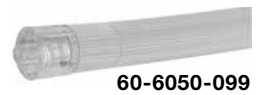
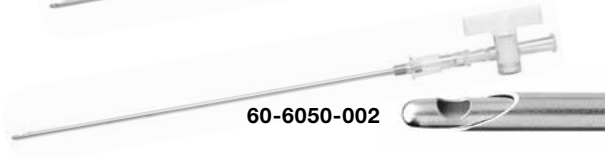
## Insufflation System

	Ref. No.
40L Dual Port Insufflator.....	GS1002
50L Insufflator.....	GS2000
Hose and Yoke for CO <sub>2</sub> , E-Tank, 4'.....	GS1052
DIN477, Hose and Connection for CO <sub>2</sub> Tank.....	GS202K
DISS Hose for "wall" CO <sub>2</sub> , 2'.....	GS1053
Dual Tank Shuttle Valve System.....	GS2050
Power Cord, 155 VAC 6'.....	C7104
Power Cord, 230 VAC 10'.....	C7105
CO <sub>2</sub> Warmer, in-line, reusable.....	GS1012
Cleaning Brushes for Warmer assembly, 10/pkg.....	GS1054
Adapter, CPC to IEC (for C7011 tubing).....	GS1050
Adapter, CPC to Luer (for C7010 tubing).....	GS1051
Insufflation Tubing Set, disposable, CPC/Luer, w/filter.....	GS1016
Insufflation Tubing Set, disposable, Luer/Luer, w/filter.....	C7010***
Insufflation Tubing Set, disposable, IEC/Luer, w/filter.....	C7011***
***C7010 tubing requires a GS1051 adapter. C7011 tubing requires a GS1050 adapter.	
CPS Tubing Set, disposable, w/filter.....	GS1013

**Note: To order items on this page please contact Customer Service at +1(800) 237-0169 or +1(727) 392-6464.**

## Disposable Insufflation Needles and Tubing/Filter Set Systems

	Ref. No.
Pneumoperitoneum Insufflation Needle..... 14 gauge, 12cm, with stainless steel tip guard and band indicator, 1/pkg, 10/cs	60-6050-001
Pneumoperitoneum Insufflation Needle..... 14 gauge, 15cm, with stainless steel tip guard and band indicator, 1/pkg, 10/cs	60-6050-002
Insufflation Tubing (10' length)..... and 0.1 micron hydrophobic filter assembly with suction type connector, 1/pkg, 10/cs	60-6050-097
Insufflation Tubing (10' length)..... and 0.1 micron hydrophobic filter assembly with "O" ring connector, 1/pkg, 10/cs	60-6050-098
Insufflation Tubing (10' length)..... and 0.1 micron hydrophobic filter assembly with luer lock connector, 1/pkg, 10/cs	60-6050-099
<b>Laparoscopic Smoke Eliminator</b> Tubing Set..... with .2 micron filter and adjustable valve for laser and cautery smoke removal	<b>CD3900</b>



**Note: To order items on this page please contact Customer Service at (800) 448-6506 or +1(315) 797-8375.**





530

## Reflex® Laparoscopic Clip Appliers

### Reflex® ELC 530 Automatic Clip Applier

Ref. No.

Autofeeding, disposable 10mm clip applier ..... 530  
 Contains 20 titanium medium/large clips, Sterile, 1/pkg, 6/cs



543815

### Reflex® 5mm Automatic Clip Applier

Autofeeding, disposable 5mm clip applier ..... 543815  
 Contains 15 non-absorbable polymer medium/large locking clips,  
 Sterile, 1/pkg, 3/cs



543800

### Reflex® 5mm Locking Clip Remover

Reusable 5mm clip remover for easy release of polymer clips ..... 543800  
 Non-sterile, 1/cs

## ConMed Reflex® Skin Staplers

### Features:

- 15, 25, and 35 staple count models
- “Best In Class” ergonomics
- Audible and tactile feedback
- Visible counter
- Reflex® One Stapler with retracting anvil or
- Reflex® TL “Tissue Lift” Stapler

### Benefits:

- Choice
- Helps prevent embedded staples
- Confirms staple formation
- Speed
- Lets staple release immediately from stapler
- The TL Stapler holds on to the staple until staple release is desired assisting in approximating skin

### Reflex® One Skin Stapler, 15 Staples

	Ref. No.
Regular, 1/pkg, 6/cs .....	8015
Wide, 1/pkg, 6/cs .....	8515

### Reflex® One Skin Stapler, 25 Staples

Regular, 1/pkg, 6/cs .....	8025
Wide, 1/pkg, 6/cs .....	8525

### Reflex® One Skin Stapler, 35 Staples (Our most popular model!)

Regular, 1/pkg, 6/cs .....	8035
Wide, 1/pkg, 6/cs .....	8535

### Reflex® TL “Tissue Lift” Skin Stapler, 15 Staples

Regular, 1/pkg, 6/cs .....	8615
Wide, 1/pkg, 6/cs .....	8715

### Reflex® TL “Tissue Lift” Skin Stapler, 25 Staples

Regular, 1/pkg, 6/cs .....	8625
Wide, 1/pkg, 6/cs .....	8725

### Reflex® TL “Tissue Lift” Skin Stapler, 35 Staples

Regular, 1/pkg, 6/cs .....	8635
Wide, 1/pkg, 6/cs .....	8735

### Reflex® Extractor

Wide/Regular, 1/pkg, 12/cs .....	3031
----------------------------------	------



Reflex® One



Reflex® One Wide



Reflex® TL



Reflex® Extractor



8935



8900



8835

## ConMed Reflex® RH — Re-Loadable Rotating Head Skin Staplers

### Reflex® RHS Re-Loadable Rotating Head Skin Stapler

Ref. No.

Wide, Sterile, 1/pkg, 6/cs ..... 8935  
 One (1) each single-use handle and cartridge  
 • Re-loadable within single patient use

### Reflex® RHM Re-Loadable Multi-Use Skin Stapler Handle

Wide, Sterile, 1/pkg, 5/cs ..... 8900  
 20 uses, multi-use  
 For use with the 8835 Reflex® Skin Stapler Cartridge  
 • Re-loadable within single or multi-patient use in concurrence with proper sterile technique  
 • Handle packaged initially with one (1) single-use, sterile, 35 wide skin staple cartridge

### Reflex® RH, Single-Use, 35 Wide, Skin Stapler Cartridge

Wide, Sterile, 1/pkg, 10/cs ..... 8835  
 35 staples, single-use only

## ConMed Disposable Laparoscopic Scissors

- Wide opening scissors for improved dissection
- Extended insulation for maximum protection
- All instruments are packaged sterile
- Monopolar
- Disposable electro-surgical cord included
- Red rotation knob to indicate Scissor family
- 5 year shelf life

	Ref. No.
ConMed® Curved Metzenbaum ..... 5mm x 32cm length with universal cord, 1/pkg, 5/cs	60-6035-001
ConMed® Curved Metzenbaum, Narrow Tip ..... 5mm x 32cm length with universal cord, 1/pkg, 5/cs	60-6035-001W
ConMed® Curved Metzenbaum ..... 5mm x 43cm length with universal cord, 1/pkg, 5/cs	60-6035-431
ConMed® Mini Curved Metzenbaum ..... 5mm x 32cm length with universal cord, 1/pkg, 5/cs	60-6035-003
ConMed® Mini Curved Metzenbaum ..... 5mm x 43cm length with universal cord, 1/pkg, 5/cs	60-6035-433
ConMed® Straight ..... 5mm x 32cm length with universal cord, 1/pkg, 5/cs	60-6035-002
ConMed® Mini Straight ..... 5mm x 32cm length with universal cord, 1/pkg, 5/cs	60-6035-005
ConMed® Hook Blade ..... 5mm x 32cm length with universal cord, 1/pkg, 5/cs	60-6035-004

## Reflex® Laparoscopic Disposable Scissors

Reflex® Short Curved Scissors ..... 5mm x 32cm length, (cord not included), 1/pkg, 6/cs	1411
Reflex® Long Curved Scissors ..... 5mm x 32cm length, (cord not included), 1/pkg, 6/cs	1412

## ConMed Disposable Scissors

Short Curved Mini Metz ..... 5mm x 33cm length, (cord not included), 1/pkg, 10/cs	1221
Long Curved Metz Scissors..... 5mm x 33cm length, (cord not included), 1/pkg, 10/cs	1222



**Curved Metzenbaum**



**Curved Metzenbaum  
Narrow Tip**



**Mini Curved  
Metzenbaum**



**Straight**



**Mini Straight**



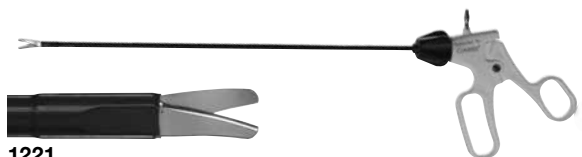
**Hook Blade**



**1411**



**1412**



**1221**



**1222**



## ConMed Disposable Graspers (with Ratchet)

- The widest offering of disposable instruments
- All instruments are packaged sterile
- Wide mouth “knuckle-less” design with extended insulation
- Monopolar
- Disposable electrosurgical cord included
- Green rotation knob to indicate grasper family
- 5 year shelf life



**Tapered (Dolphin)**



**Maryland**



**Fenestrated (Duckbill)**



**Meeker**



**Endoweave™**



**Allis**



**5mm Babcock**

**Ref. No.**

Tapered (Dolphin), 5mm x 33cm length, 1/pkg, 5/cs.....	60-6045-001
Tapered (Dolphin), 5mm x 43cm length, 1/pkg, 5/cs.....	60-6045-431
Maryland, 5mm x 33cm length, 1/pkg, 5/cs.....	60-6045-002
Maryland, 5mm x 43cm length, 1/pkg, 5/cs.....	60-6045-432
Fenestrated (Duckbill), 5mm x 33cm length, 1/pkg, 5/cs.....	60-6045-003
Fenestrated (Duckbill), 5mm x 43cm length, 1/pkg, 5/cs.....	60-6045-433
Meeker, 5mm x 33cm length, 1/pkg, 5/cs.....	60-6045-004
Meeker, 5mm x 43cm length, 1/pkg, 5/cs.....	60-6045-434
Endoweave™, 5mm x 33cm length, 1/pkg, 5/cs.....	60-6045-005
Endoweave™, 5mm x 43cm length, 1/pkg, 5/cs.....	60-6045-435
Allis, 5mm x 33cm length, 1/pkg, 5/cs.....	60-6045-006
Allis, 5mm x 43cm length, 1/pkg, 5/cs.....	60-6045-436
5mm Babcock, 5mm x 33cm length, 1/pkg, 5/cs.....	60-6047-001
5mm Babcock, 5mm x 43cm length, 1/pkg, 5/cs.....	60-6047-431

## ConMed Disposable Dissectors (Non-ratcheting)

- The widest offering of disposable instruments
- All instruments are packaged sterile, each with a Universal Cord
- Wide mouth "knuckleless" design with extended insulation
- Monopolar
- Disposable electrosurgical cord included
- Blue rotation knob to indicate dissector family
- 5 year shelf life

	Ref. No.
Tapered (Dolphin), 5mm x 33cm length, 1/pkg, 5/cs.....	60-6040-001
Tapered (Dolphin), 5mm x 43cm length, 1/pkg, 5/cs.....	60-6040-431
Maryland, 5mm x 33cm length, 1/pkg, 5/cs.....	60-6040-002
Maryland, 5mm x 43cm length, 1/pkg, 5/cs.....	60-6040-432
Fenestrated (Duckbill), 5mm x 33cm length, 1/pkg, 5/cs.....	60-6040-003
Fenestrated (Duckbill), 5mm x 43cm length, 1/pkg, 5/cs.....	60-6040-433
Meeker, 5mm x 33cm length, 1/pkg, 5/cs.....	60-6040-004
Meeker, 5mm x 43cm length, 1/pkg, 5/cs.....	60-6040-434
Endoweave™, 5mm x 33cm length, 1/pkg, 5/cs.....	60-6040-005
Endoweave™, 5mm x 43cm length, 1/pkg, 5/cs.....	60-6040-435
Allis, 5mm x 33cm length, 1/pkg, 5/cs.....	60-6040-006
Allis, 5mm x 43cm length, 1/pkg, 5/cs.....	60-6040-436



**Tapered (Dolphin)**



**Maryland**



**Fenestrated (Duckbill)**



**Meeker**



**Endoweave™**



**Allis**



## DetachaTip® III Multi-Use Instrument System



**Curved Metzenbaum**

### DetachaTip® III Multi-Use Scissors

Ref. No.

Curved Metzenbaum, 5mm x 33cm length, Sterile, 1/box ..... 3-1003

Curved Metzenbaum, 5mm x 43cm length, Sterile, 1/box ..... 3-4301



**Curved Mini-Metzenbaum**

Curved Mini-Metzenbaum, 5mm x 33cm length, Sterile, 1/box ..... 3-1004

Curved Mini-Metzenbaum, 5mm x 43cm length, Sterile, 1/box ..... 3-4304



**Fenestrated (Duckbill)**

### DetachaTip® III Multi-Use Graspers

Fenestrated (Duckbill), 5mm x 33cm length, Sterile, 1/box ..... 3-1008

Fenestrated (Duckbill), 5mm x 43cm length, Sterile, 1/box ..... 3-4307



**Long Fenestrated (Duckbill)**

Long Fenestrated (Duckbill), 5mm x 33cm length, Sterile, 1/box ..... 3-1006

Long Fenestrated (Duckbill), 5mm x 43cm length, Sterile, 1/box ..... 3-4306



**Allis**

Allis, 5mm x 33cm length, Sterile, 1/box ..... 3-1019

Allis, 5mm x 43cm length, Sterile, 1/box ..... 3-4319



**Endoweave™**

Endoweave™, 5mm x 33cm length, Sterile, 1/box ..... 3-1028

Endoweave™, 5mm x 43cm length, Sterile, 1/box ..... 3-4328



**Babcock (5mm)**

Babcock, 5mm x 33cm length, Sterile, 1/box ..... 3-1005

Babcock, 5mm x 43cm length, Sterile, 1/box ..... 3-4305



**Claw**

Claw, 5mm x 33cm length, Sterile, 1/box ..... 3-1011

Claw, 5mm x 43cm length, Sterile, 1/box ..... 3-4311



**Blunt Nose**

Blunt Nose, 5mm x 33cm length, Sterile, 1/box ..... 3-1012

Blunt Nose, 5mm x 43cm length, Sterile, 1/box ..... 3-4312

## DetachaTip® III Multi-Use Dissectors

	Ref. No.
Curved (Maryland), 5mm x 33cm length, Sterile, 1/box .....	3-1009
Curved (Maryland), 5mm x 43cm length, Sterile, 1/box .....	3-4308
Tapered, 5mm x 33cm length, Sterile, 1/box .....	3-1018
Tapered, 5mm x 43cm length, Sterile, 1/box .....	3-4318
Meeker (Right Angle), 5mm x 33cm length, Sterile, 1/box .....	3-1017
Meeker (Right Angle), 5mm x 43cm length, Sterile, 1/box .....	3-4317

## DetachaTip® III Multi-Use Handles

Universal Standard Handle with ratchet, Non-Sterile, 1/box.....	3-1010
DetachaTip® Luer Port Cap.....	CD203

## Multi-Use Instrument Trays

DetachaTip® Tray .....	3-4329
For 33cm and 43cm DetachaTip® instruments Only, Non-sterile, 1 each	
DetachaTip® PLUS Tray .....	3-4343
Accommodates 43cm and 33cm instruments and accessories. Non-sterile, 1 each	



**Curved (Maryland)**



**Tapered (Dolphin)**



**Meeker**



**Universal Standard Handle**



**DetachaTip® Tray**



**DetachaTip® PLUS Tray**





**Curved Metzenbaum**



**Curved Mini-Metzenbaum**



**Fenestrated (Duckbill)**



**Allis**



**Endoweave™**



**Babcock (10mm)  
Babcock (5mm)**

## DetachaTip® II Multi-Use Instrument System

### DetachaTip® II Multi-Use Scissors

	Ref. No.
Curved Metzenbaum, 5mm x 33cm length, Sterile, 1/box .....	2-1003
Curved Metzenbaum, 5mm x 43cm length, Sterile, 1/box .....	2-4301
Curved Mini-Metzenbaum, 5mm x 33cm length, Sterile, 1/box .....	2-1004
Curved Mini-Metzenbaum, 5mm x 43cm length, Sterile, 1/box .....	2-4304

### DetachaTip® II Multi-Use Graspers

Fenestrated (Duckbill), 5mm x 33cm length, Sterile, 1/box .....	2-1008
Fenestrated (Duckbill), 5mm x 43cm length, Sterile, 1/box .....	2-4307
Allis, 5mm x 33cm length, Sterile, 1/box .....	2-1019
Allis, 5mm x 43cm length, Sterile, 1/box .....	2-4319
Endoweave™, 5mm x 33cm length, Sterile, 1/box .....	2-1028
Endoweave™, 5mm x 43cm length, Sterile, 1/box .....	2-4328
Babcock, 5mm x 33cm length, Sterile, 1/box .....	2-1005
Babcock, 5mm x 43cm length, Sterile, 1/box .....	2-4305
Babcock, 10mm x 33cm length, Sterile, 1/box .....	2-1014

### DetachaTip® II Multi-Use Dissectors

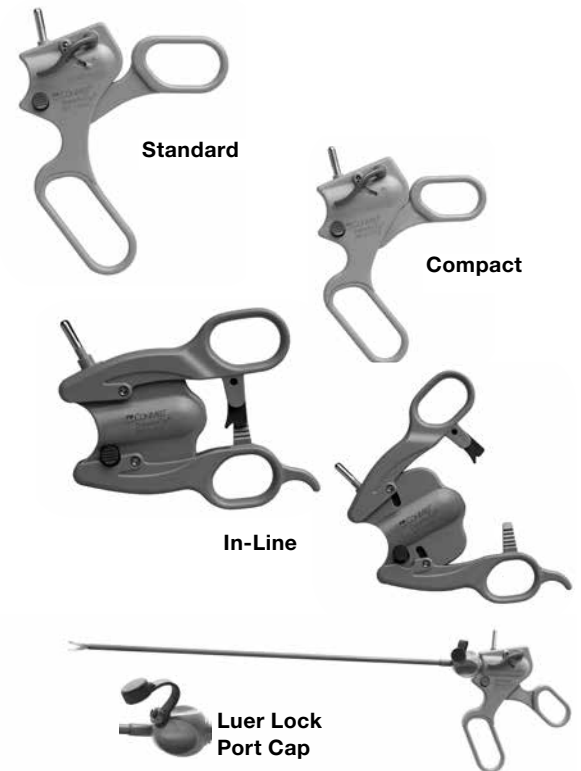
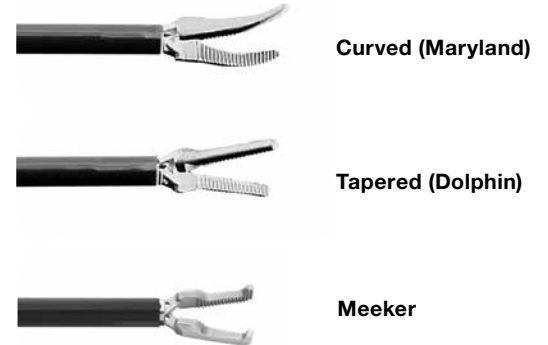
	Ref. No.
Curved (Maryland), 5mm x 33cm length, Sterile, 1/box .....	2-1009
Curved (Maryland), 5mm x 43cm length, Sterile, 1/box .....	2-4308
Tapered, 5mm x 33cm length, Sterile, 1/box .....	2-1018
Tapered, 5mm x 43cm length, Sterile, 1/box .....	2-4318
Meeker (Right Angle), 5mm x 33cm length, Sterile, 1/box .....	2-1017
Meeker (Right Angle), 5mm x 43cm length, Sterile, 1/box .....	2-4317

### DetachaTip® II Multi-Use Handles

Standard Handle with ratchet, Non-Sterile, 1/box.....	1-1010
Compact Handle with ratchet, Non-Sterile, 1/box.....	1-1015
In-Line Handle with ratchet, Sterile, 1/box.....	1-1024
DetachaTip® Luer Port Cap.....	CD203

### Multi-Use Instrument Tray

Three-part Sterilization Tray for DetachaTip® instruments .....	1-1027
Non-sterile, 1 each	
For 33cm DetachaTip® instruments	
For 43cm DetachaTip® instruments .....	1-4327
Will accommodate 43cm and 33cm instruments.	





 **Spatula**

 **"L" Hook**

 **Straight Blade**

 **"J" Hook**

 **Hook Blade**

## Disposable Laparoscopic Electrodes

### "Grey" Laparoscopic Electrodes

- Extended insulation
- Non coated tips
- Single-use
- Sterile

	Ref. No.
Spatula, 5mm x 32cm working length, 1/pkg, 5/cs .....	60-5159-001
Spatula, 5mm x 27cm working length, 1/pkg, 5/cs .....	60-5159-002
Spatula, 5mm x 32cm working length with 4mm pin, 1/pkg, 5/cs .....	60-5159-004
Packaged with the ConMed® 60-5168-005 single-use 4mm footswitching cable.	
"L" Hook, 5mm x 32cm working length, 1/pkg, 5/cs .....	60-5163-001
"L" Hook, 5mm x 27cm working length, 1/pkg, 5/cs .....	60-5163-002
"L" Hook, 5mm x 32cm working length with 4mm pin, 1/pkg, 5/cs .....	60-5163-004
Packaged with ConMed® 60-5168-005 single-use 4mm footswitching cable.	
Straight Blade, 5mm x 32cm working length, 1/pkg, 5/cs .....	60-5160-001
Straight Blade, 5mm x 27cm working length, 1/pkg, 5/cs .....	60-5160-002
Straight Blade 5mm x 32cm working length with 4mm pin, 1/pkg, 5/cs .....	60-5160-004
Packaged with the ConMed® 60-5168-005 single-use 4mm footswitching cable.	
"J" Hook, 5mm x 32cm working length, 1/pkg, 5/cs .....	60-5164-001
"J" Hook, 5mm x 27cm working length, 1/pkg, 5/cs .....	60-5164-002
"J" Hook 5mm x 32cm working length with 4mm pin, 1/pkg, 5/cs .....	60-5164-004
Packaged with the ConMed® 60-5168-005 single-use 4mm footswitching cable.	
Hook Blade, 5mm x 32cm working length, 1/pkg, 5/cs .....	60-5162-001
Hook Blade, 5mm x 27cm working length, 1/pkg, 5/cs .....	60-5162-002

**CORE® Suction Irrigation Handpieces**

*With 5mm x 32cm Length Probe (Single Use, Sterile)*

For Single Solution Bags, 10 each per box..... CD8185

For Single Solution or Dual Bags, 10 each per box..... CD8190

**CORE® Suction Irrigation Handpieces**

*Without Probe (Single Use, Sterile)*

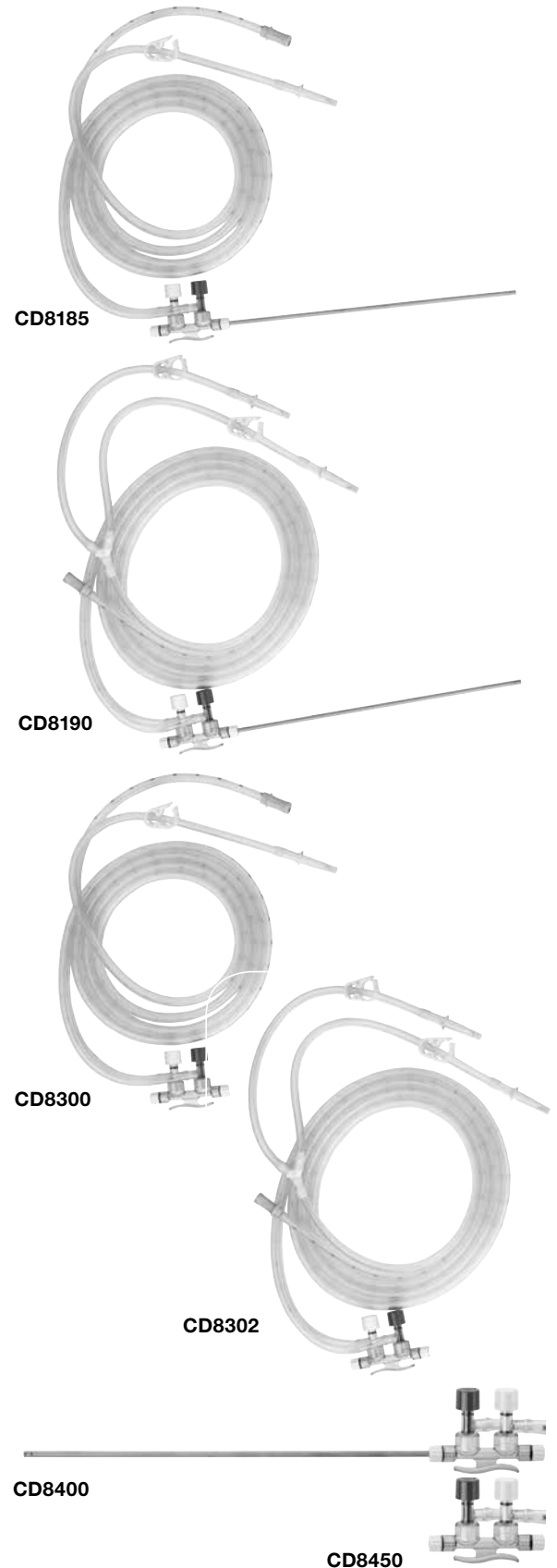
For Single Solution Bags, 10 each per box..... CD8300

For Single Solution or Dual Bags, 10 each per box..... CD8302

**CORE® Trumpet, (Single Use, Sterile)**

Handpiece w/5mm x 32cm Probe, 20 each per box..... CD8400

Handpiece Only, 20 each per box..... CD8450





**CD856**



**CD861**



**CD862**



**CD846**



**CD860**



**CD859**



**CD849**



**CD871**



**CD872**



**CD873**



**CD878**

## CORE® Suction Irrigation Cannulae (Reusable)

Ref. No.

10mm x 32cm Length, with Holes..... CD856

10mm x 32cm Length, Poole Suction..... CD861

10mm x 32cm Length, Stone Extractor with Sheath ..... CD862

5mm x 32cm Length, Micro Tip ..... CD846

5mm x 32cm Length, with Holes..... CD860

5mm x 32cm Length, Poole Suction..... CD859

5mm x 45cm Length, with Holes ..... CD849

3mm x 32cm Length, with Holes..... CD845

## CORE® Laproscopic Electrodes (Reusable)

5mm x 32cm Length, Spatula with Movable Sheath..... CD871

5mm x 32cm Length, L-Hook with Movable Sheath ..... CD872

5mm x 32cm Length, J-Hook with Movable Sheath ..... CD873

5mm x 32cm Length, Needle with Movable Sheath ..... CD878

5mm x 32mm Electrode Probe Sheath ..... CD874

## Universal Plus® Multifunction Instrument Control Handles

- With Electrode Rotation Control Wheel, for Suction/Irrigation, Electrosurgery and other functions
- Single-use
- Sterile

	Ref. No.
Pistol Grip Foot Control E/S, Hand Control S/I..... with 10' Hi Flo Tubing, Irrigation Bag Spike and Universal E/S Cord. 1/pkg, 10/cs	60-6010-000
Pistol Grip Hand Control E/S, Hand Control S/I..... with 10' Hi Flo Tubing, Irrigation Bag Spike and Active Cord. 1/pkg, 10/cs	60-6010-002

Universal Plus® Straight Handle, Foot Control E/S, Hand Control S/I, ..... with 10' Hi Flo Tubing, Irrigation Bag Spike and Universal E/S Cord. 1/pkg, 10/cs	60-6010-001
Universal Plus® Straight Handle, Hand Control E/S (Button Switch), ..... and S/I, with 10' Hi Flo Tubing, Irrigation Bag Spike and Active Cord. 1/pkg, 10/cs	60-6010-003
Universal Plus® Straight Handle, Hand Control E/S (Rocker Switch),..... and S/I, with 10' Hi Flo Tubing, Irrigation Bag Spike and Active Cord. 1/pkg, 10/cs	60-6010-005

## Universal S/I® Control Handles (Suction/Irrigation Only)

- For suction and irrigation use only
- Single-use
- Sterile

Universal S/I® Control Handle Pistol Grip Suction/Irrigator ..... with 10' Hi Flo Tubing, dual bag spikes, Single-use, Sterile. 1/pkg, 10/cs	60-6020-100
Universal S/I® Control Handle Straight Handle Suction/Irrigation ..... with 10' Hi Flo Tubing and Irrigation, dual bag spikes, Single-use, Sterile.1/pkg, 10/cs	60-6020-115



**Pistol Grip**



**Straight Handle**



**Pistol Grip**



**Straight Handle**



**Spatula Electrode**



**"L" Hook Electrode**



**"J" Hook Electrode**



**Needle Electrode**



**Spatula with "Ultra" Coating**



**"L" Hook with "Ultra" Coating**



**"J" Hook with "Ultra" Coating**



**Needle with "Ultra" Coating**

## Universal Plus® Laparoscopic Electrodes with Suction Irrigation Lumen

- 5mm
- Extended insulation
- Extendible locking tip protector
- Single-use
- Sterile
- For use with Universal Plus® Control Handles

**Ref. No.**

Spatula Electrode, 5mm x 27cm length, 1/pkg, 5/cs ..... 60-5272-027

Spatula Electrode, 5mm x 32cm length, 1/pkg, 5/cs ..... 60-5272-032

"L" Hook Electrode, 5mm x 27cm length, 1/pkg, 5/cs ..... 60-5272-127

"L" Hook Electrode, 5mm x 32cm length, 1/pkg, 5/cs ..... 60-5272-132

"J" Hook Electrode, 5mm x 27cm length, 1/pkg, 5/cs ..... 60-5272-227

"J" Hook Electrode, 5mm x 32cm length, 1/pkg, 5/cs ..... 60-5272-232

Needle Electrode, 5mm x 27cm length, 1/pkg, 5/cs ..... 60-5272-927

Needle Electrode, 5mm x 32cm length, 1/pkg, 5/cs ..... 60-5272-932

## Universal Plus® Laparoscopic Electrodes with Ultra Non-Stick Coating Suction Irrigation Lumen

Spatula with "Ultra" Coating, 5mm x 27cm length, 1/pkg, 5/cs ..... 60-5274-027

Spatula with "Ultra" Coating, 5mm x 32cm length, 1/pkg, 5/cs ..... 60-5274-032

Spatula with "Ultra" Coating, 5mm x 44cm length, 1/pkg, 5/cs ..... 60-5274-044

"L" Hook with "Ultra" Coating, 5mm x 27cm length, 1/pkg, 5/cs ..... 60-5274-127

"L" Hook with "Ultra" Coating, 5mm x 32cm length, 1/pkg, 5/cs ..... 60-5274-132

"L" Hook with "Ultra" Coating, 5mm x 44cm length, 1/pkg, 5/cs ..... 60-5274-144

"J" Hook with "Ultra" Coating, 5mm x 27cm length, 1/pkg, 5/cs ..... 60-5274-227

"J" Hook with "Ultra" Coating, 5mm x 32cm length, 1/pkg, 5/cs ..... 60-5274-232

"J" Hook with "Ultra" Coating, 5mm x 44cm length, 1/pkg, 5/cs ..... 60-5274-244

Needle with "Ultra" Coating, 5mm x 27cm length, 1/pkg, 5/cs ..... 60-5274-927

Needle with "Ultra" Coating, 5mm x 32cm length, 1/pkg, 5/cs ..... 60-5274-932

Needle with "Ultra" Coating, 5mm x 44cm length, 1/pkg, 5/cs ..... 60-5274-944

## Standard Suction Irrigation Cannulae

For use with Universal Plus®, Universal S/I®, PowerFlo™ and FloVac® Control Handles.

### 5mm Disposable Cannulae

	Ref. No.
5mm Sump Cannula, 32cm length..... Single-use, Sterile, 1/pkg, 5/cs	60-6001-203
5mm Sump Cannula, 44cm length..... Single-use, Sterile, 1/pkg, 5/cs	60-6001-205
5mm Sump Cannula with Laser Access Port, 32cm length ..... Single-use, Sterile, 1/pkg, 5/cs	60-6001-360
5mm Sump Cannula with Laser Access Port, 44cm length..... Single-use, Sterile, 1/pkg, 5/cs	60-6001-361

### 5mm Reusable Cannulae

5mm Stainless Steel Reusable Cannula, 32cm length, 1 each .....	60-6002-302
5mm Stainless Steel Reusable Cannula, 44cm length, 1 each .....	60-6002-309
5/3mm Stainless Steel Reusable Cannula, 32cm length, 1 each .....	60-6002-304

### 10mm Disposable Cannulae

10mm Sump Cannula, with side holes, 32cm length..... Single-use, Sterile, 1/pkg, 5/cs	60-6001-110
10mm Sump Cannula, no side holes, 32cm length .....	60-6001-105
10mm "Soft-Tip" Cannula, 32cm length..... Single-use, Sterile, 1/pkg, 5/cs	60-6000-130

### 10mm Reusable Cannulae

10mm Stainless Steel Reusable Cannula..... 32cm length with side holes, 1 each	60-6002-301
10mm Stainless Steel Reusable Cannula..... 44cm length with side holes, 1 each	60-6002-308
10mm Stainless Steel Reusable Cannula..... 15cm length with side holes, 1 each	60-6002-307
10mm Stainless Steel Reusable Cannula..... 32cm length, no side holes, 1 each	60-6002-306







270178



270123



270165



270179

## Surgical Irrigation Pump Systems and Connectors

Ref. No.

ConMed® 1-Liter Infusion Style Irrigation Pump..... 270178  
1 each

ConMed® Dual 1-Liter Infusion Style Irrigation Pump..... 270123  
1 each

ConMed® 3-Liter Infusion Style Irrigation Pump ..... 270165  
1 each

Power Pack, 110V Compressor for Infusion Style Pump ..... 270179  
1 each

Replacement Hose for Pressure Infusor Pumps, 6' ..... 13081

Replacement Bladder for Pressure Infusor Pump 270123, 270179, 1l..... 13084

Replacement Bladder for Pressure Infusor Pump 270165, 3l ..... 13085

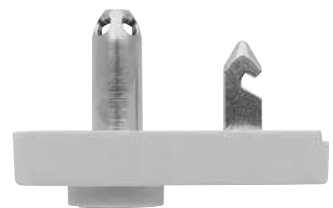
## Fittings/Connectors for Pump Systems

For use with ConMed Irrigation Pumps

	Ref. No.
<b>Ohmeda — Quick Connect Couplers</b>	
Ohmeda, O, type, .125" NPT Female .....	CD984
Ohmeda, AIR type, .125" NPT Female.....	CD984A
Ohmeda, N,O type, .125" NPT Female.....	CD984N
<b>Chemtron — Quick Connect Couplers</b>	
Chemtron, O, type, 1/8" NPT Female .....	CD983
Chemtron, AIR type, 1/8" NPT Female .....	CD983A
Chemtron, N,O type, 1/8" NPT Female .....	CD983N
<b>Puritan-Bennett — Quick Connect Couplers</b>	
Puritan-Bennett, O, type, .125" NPT Female .....	CD989
Puritan-Bennett, AIR type, .125" NPT Female.....	CD989A
Puritan-Bennett, N,O type, .125" NPT Female.....	CD989N
<b>Schrader — Non-Swivel Quick Connect Couplers</b>	
Schrader (non-swivel), O, type, .125" NPT Female .....	CD987
Schrader (non-swivel), AIR type, .125" NPT Female .....	CD987A
Schrader (non-swivel), N,O type, .125" NPT Female.....	CD987N
<b>Schrader — Swivel Quick Connect Couplers</b>	
Schrader (swivel), O, type, .125" NPT Female .....	CD988
Schrader (swivel), AIR type, .125" NPT Female.....	CD988A
Schrader (swivel), N,O type, .125" NPT Female.....	CD988N
<b>Oxequip — Quick Connect Couplers</b>	
Oxequip, O, type, .125" NPT Female.....	CD985
Oxequip, AIR type, .125" NPT Female .....	CD985A
Oxequip, N,O type, .125" NPT Female .....	CD985N



**Ohmeda**



**Chemtron**



**Puritan-Bennett**



**Schrader — Non-Swivel**



**Schrader — Swivel Quick**



**Oxequip**



**VCare® Vaginal-Cervical Retractor-Elevator**

## VCare® Vaginal-Cervical Retractor-Elevator

- **Harmonic compatible**
- Provides maximum maneuverability of the uterus
- Prevents loss of pneumoperitoneum
- Retracts bladder
- Displaces cervix away from ureters
- Defines dissecting plane of colpotomy

	Ref. No.
VCare®, Small (32mm) Cervical Cup, 1/pkg, 8/cs .....	60-6085-200
VCare®, Medium (34mm) Cervical Cup, 1/pkg, 8/cs .....	60-6085-201
VCare®, Large (37mm) Cervical Cup, 1/pkg, 8/cs .....	60-6085-202
VCare®, X-Large (40mm) Cervical Cup, 1/pkg, 8/cs .....	60-6085-203



**VCare® Dx™**

## VCare® Dx™

- Same superior manipulation as VCare®
- Graduated shaft for more managed insertion
- Anatomically shaped cervical stop to help prevent back-flow of contrast
- Luer channel for contrast injection

VCare® Dx™ Manipulator 1/pkg, 8/cs .....	60-6080-000
--	-------------

## Disposable Laparoscopic Specimen Bags

	Ref. No.
Independent Memory Wire Bag, 3" x 6" (7.62cm x 15.24cm), 250ml, 10-12mm Cannula, Sterile, 1/pkg, 10/cs	SB836
Independent Memory Wire Bag, 5" x 7" (12.7cm x 17.78cm), 500ml, 10-12mm Cannula, Sterile, 1/pkg, 10/cs	SB857
Attached Memory Wire Bag, 3" x 6" (7.62cm x 15.24cm), 250ml, 10-12mm Cannula, Sterile, 1/pkg, 5/cs	SB936
Attached Memory Wire Bag, 5" x 7" (12.7cm x 17.78cm), 500ml, 10-12mm Cannula, Sterile, 1/pkg, 5/cs	SB957
Attached Memory Wire Bag, 7.5" x 9" (19.1cm x 22.9cm), 1500ml, 10-12mm Cannula, Sterile, 1/pkg, 5/cs	SB979

## Expose® Single-Use Inflatable Retractors

Triangle Shaped, Single-use, Sterile, 10mm, 1/pkg, 5/cs	IT0010
U-Shaped, Single-use, Sterile, 10mm, 1/pkg, 5/cs	IU0010

## Anti-Fog Kit

6cc Anti-Fog Solution Vial, adhesive backed sponge with radiopaque ribbon	CD004
Single-use, Sterile, 1/pkg, 20/cs	

## Irrigation/Aspiration Needles

16 Gauge Needle, 5mm x 40cm length, Single-use, Sterile, 1/pkg, 5/cs	CD950
22 Gauge Needle, 5mm x 40cm length, Single-use, Sterile, 1/pkg, 5/cs	CD952

## Kittner Blunt Dissectors

Single Tip Kittner, 5mm x 40cm length, Single-use, Sterile, 1/pkg, 5/cs	CD801
Dual Tip Kittner, 5mm x 40cm length, Single-use, Sterile, 1/pkg, 5/cs	CD802



**Independent Memory Wire Bag**



**Attached Memory Wire**



**Triangle Shaped**



**U-Shaped**



**Anti-Fog Kit**



**16 Gauge Needle**



**22 Gauge Needle**



**Kittner Blunt Dissectors**



**Flat Kite**



**Curved Kite**



**Angled Flat Kite**



**Examine® Cholangiography Catheters**

## Reusable Retractors

Ref. No.

5mm Flat Kite, 41cm length, Reusable, 1 each..... MK0005

5mm Curved Kite, 41cm length, Reusable, 1 each..... MC0005

5mm Angled Flat Kite, 43cm length, Reusable, 1 each..... KM0005

## Examine® Cholangiography Catheters

Electrosurgical Introduction, 4.5 F, Single-use, Sterile, 1/pkg, 10/cs..... ECC01

Percutaneous Introduction, 4.5 F, Single-use, Sterile, 1/pkg, 10/cs ..... PCC01

## Disposable Cords

	Ref. No.
.09375" Disposable Monopolar Cord (Gray) .....	60-5168-001
.09375" (2.4mm) receptacle, 10' (3.05m) length	
Single-use, Sterile, 1/pkg, 50/cs	
For use with laparoscopy electrodes series 60-5158-XXX thru 60-5165-XXX.	
4mm Disposable Monopolar Cord (Blue) .....	60-5168-005
4mm (.15625") receptacle, 10' (3.05m) length	
Single-use, Sterile, 1/pkg, 50/cs	
Fits most standard 4mm monopolar connector posts.	
Fits all ConMed disposable scissors, graspers, dissectors, DetachaTip®, Sensatec® and 4mm post laparoscopic electrodes.	
Disposable Bipolar Cord, 10' (3.05m) length .....	60-5102-002
Single-use, Sterile, 1/pkg, 10/cs	
Disposable Bipolar Cord, 12' (3.66m) length .....	135166
Single-use, Sterile, 1/pkg, 40/cs	

## Reusable Cables

4mm Reusable Monopolar Cable.....	60-5169-001
4mm (.15625") pin receptacle, 10' (3.05m) length	
Reusable, Non-sterile, 1 each	
Fits most standard 4mm monopolar connector posts.	
Fits all ConMed disposable scissors, graspers, dissectors, DetachaTip®, Sensatec® and 4mm post style laparoscopic electrodes.	
Reusable Bipolar Cable .....	60-0845-001
12' (3.66m) length, Non-sterile, 1 each	
Reusable Bipolar Cable .....	BP-3500
10' (3.05m) length, Reusable, Non-sterile, 1 each	
European blade style connector. For use with BP-3000.	

## Footswitch Adapter

Standard adapter for foot-activated monopolar accessories.....	60-0823-001
1 each	
Fits Bovie #12 type output sockets.	
Universal adapter for foot-activated monopolar accessories.....	60-5823-001

**For additional electrosurgical accessories, refer to the ConMed® Electrosurgery Catalog.**



**60-5168-001**



**60-5168-005**



**60-5102-002**



**135166**



**60-5169-001**



**60-0845-001**



**BP-3500**



**60-0823-001**



**60-5823-001**



- Offers You Unique Solutions to Saving Money
- Provides the Savings with Procedure Based Pricing
- Offers High-performance Laparoscopic Tools – At Your Fingertips
- Is an exclusive program from ConMed EndoSurgery

## Unique Solutions to Saving Money

### Provides the Savings:

EndoCap™'s Procedural price may save you as much as 20% Vs. the leading competitor's procedural price. EndoCap™ gives you procedural savings that can make a big difference in meeting your budgetary goals.

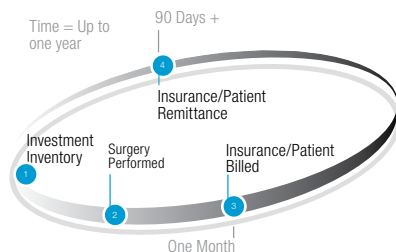
## Program Benefits:

- **Bills Per Procedure at a Set Price** for any or all of your ConMed EndoSurgical products.
- Customized instrument sets and procedural billing pricing to meet your specific surgical needs!
- ConMed manages Product Inventory, PAR Levels, Replenishment orders, and guarantees supply for every procedure utilizing EndoCap™.
- Shipping and Delivery are **No Charge**.
- Fewer product codes to manage in the O.R.
- Reduces costs associated with multiple purchase orders for various product codes through the month.
- No acquisition costs for initial inventory.
- Eliminates up-front capital investment and carrying cost.
- Facilities pay for supplies after they are used.
- Aligns payment of invoices with revenues from surgery previously performed.
- Standard terms allow for payment up to 90 days following surgery already performed.
- Unlike consignment programs, EndoCap™ is based on procedures, not inventory.

## The EndoCap™ Financial Shift:

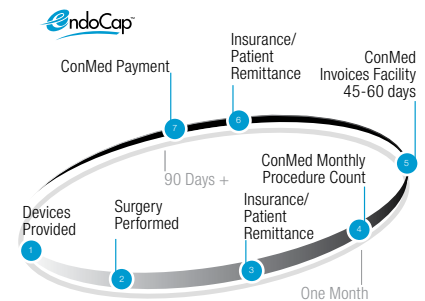
### The Traditional Method

Traditionally, devices have been purchased prior to performing surgery. The facility therefore has valuable capital tied up in inventory and does not recover the investment until after surgery is performed. Financially, the facility operates in the "RED" until remittance is received.



### The EndoCap™ Supply Solution

EndoCap™ allows facilities to eliminate the up-front capital investment and pay for the use of the supplies after they are used. Alignment of the receivables and payables allows the facility to operate in the "BLACK".



is an exclusive program from ConMed EndoSurgery.



## ■ EndoCap™ Financial Modeling

- ConMed has developed a powerful cost analysis program we call Mascot. (Minimal Access Surgery – Cost Outline Tool)

ConMed helps model what you currently pay for like products per procedure proving any cost savings.

ConMed outlines the impact of EndoCap™ procedural savings and sales on your current budget.

ConMed outlines the impact that these purchases may have on other ConMed programs such as Partnership Rewards™ and Incentive Growth Rebates™.

ConMed communicates this data easily in a straightforward Executive Summary.

## ■ Procedural Pricing

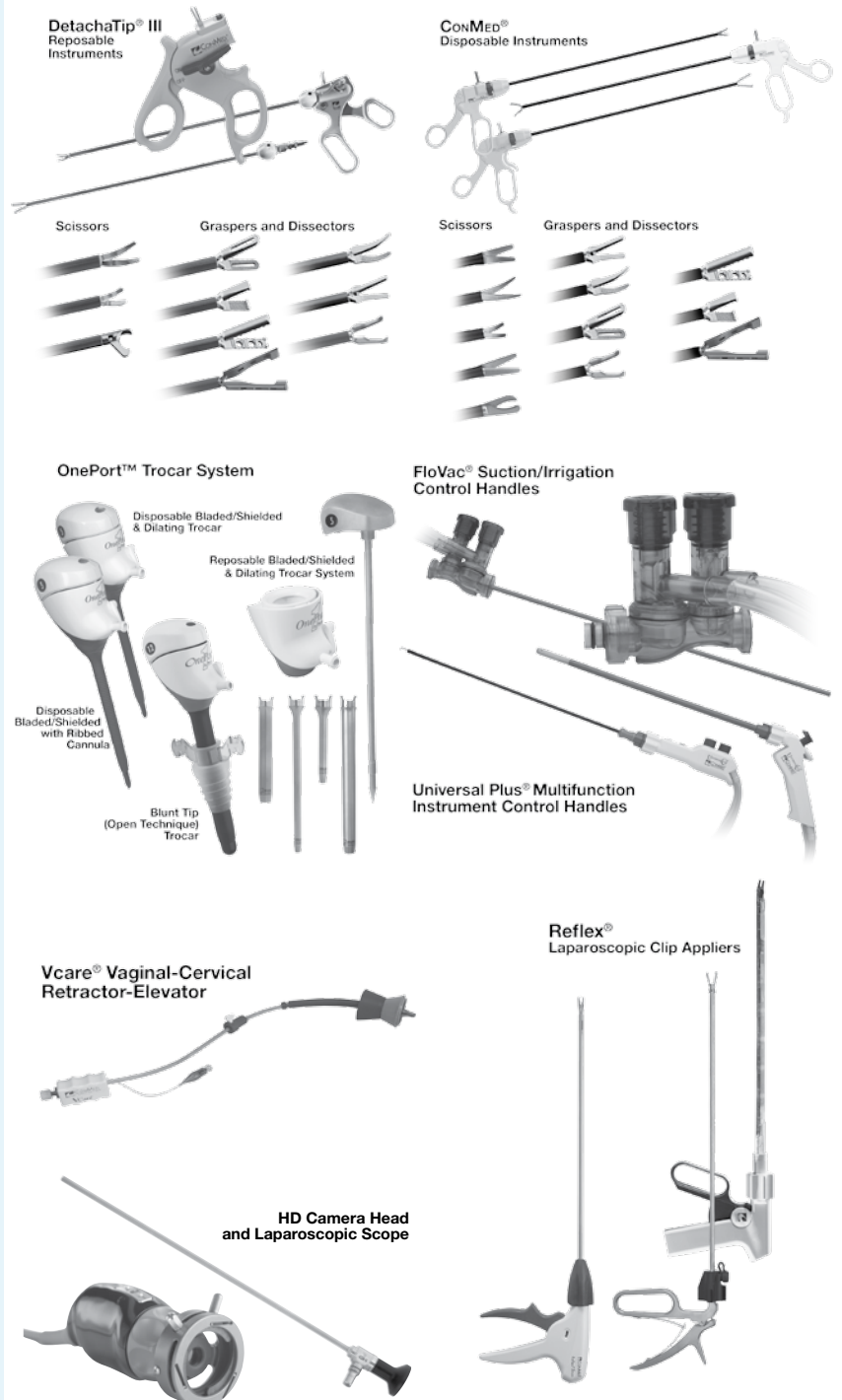
- EndoCap™ Procedural Pricing can be easily be developed in a customized way for every account:
- Many pricing options are available including:
  - Per procedure pricing by individual procedure such as Lap. Chole.
  - Per procedure pricing by surgical specialty such as GYN, GS, or Diagnostic
  - Per procedure pricing by Dr.
- Whatever the mix of Drs., Procedures, or Products, EndoCap™ can develop a cost savings solution for you!

## ■ EndoCap™-C

- EndoCap™-C is an alternative EndoCap™ program.
  - Products are stocked each month and billed in one P.O. at the end of the month.
  - Billing is set up on a per product basis by product code and not by procedure.
  - Eliminates acquisition costs, shipping costs, and cost associated with excess P.Os.



## Offers High-Performance Laparoscopic Tools – At Your Fingertips





# **Endomechanical and Advanced Visualization** PRODUCTS **INDEX**

Reference No.	Page	Reference No.	Page	Reference No.	Page
13081	48	16220	25	3-4328	38
13084	48	16911	25	3-4329	39
13085	48	16912	25	3-4343	39
135166	53	1700	25	30-6002-306	47
270123	48	1705	25	30-6035-002	35
270165	48	1778	25	3031	33
270178	48	1802	25	343800	32
270179	48	1805	25	530	32
1-1010	41	1816	25	543815	32
1-1015	41	2-1003	40	60-0823-001	53
1-1024	41	2-1004	40	60-0845-001	53
1-1027	41	2-1005	40	60-5102-002	53
1-4327	41	2-1008	40	60-5159-001	42
1-7001	26	2-1009	41	60-5159-002	42
1-7002	26	2-1014	40	60-5159-004	42
1-7003	26	2-1017	41	60-5160-001	42
1-7005	26	2-1018	41	60-5160-002	42
1-7006	26	2-1019	40	60-5160-004	42
1-7007	26	2-1028	40	60-5162-001	42
1-7008	26	2-4301	40	60-5162-002	42
1-7009	26	2-4304	40	60-5163-001	42
1-7011	26	2-4305	40	60-5163-002	42
1-7012	26	2-4307	40	60-5163-004	42
1-7013	26	2-4308	41	60-5164-001	42
1-7016	27	2-4317	41	60-5164-002	42
1-7017	27	2-4318	41	60-5164-004	42
1-7018	27	2-4319	40	60-5168-001	53
1-7019	27	2-4328	40	60-5168-005	53
1-7020	27	3-1003	38	60-5169-001	53
1-7021	27	3-1004	38	60-5272-027	46
1-7024	27	3-1005	38	60-5272-027	46
1-7025	27	3-1006	38	60-5272-032	46
1-7026	27	3-1008	38	60-5272-127	46
1-7028	27	3-1009	39	60-5272-132	46
1-7042	13	3-1010	39	60-5272-227	46
1-7044	26	3-1011	38	60-5272-232	46
1-7045	26	3-1012	38	60-5272-927	46
1-7052	28	3-1017	39	60-5272-932	46
1-7055	28	3-1018	39	60-5274-032	46
1-7056	28	3-1019	38	60-5274-044	46
1-7057	28	3-1028	38	60-5274-127	46
1221	35	3-4301	38	60-5274-132	46
1222	35	3-4304	38	60-5274-144	46
1411	35	3-4305	38	60-5274-227	46
1412	35	3-4306	38	60-5274-232	46
16020	25	3-4307	38	60-5274-244	46
16022	25	3-4308	39	60-5274-927	46
16050	25	3-4311	38	60-5274-932	46
16052	25	3-4312	38	60-5274-944	46
16150	25	3-4317	39	60-5823-001	53
16160	25	3-4318	39	60-6000-130	47
16162	25	3-4319	38	60-6001-105	47

# Numerical Index



Reference No.	Page	Reference No.	Page	Reference No.	Page
60-6001-110	47	60-6050-002	31	BT-05SR	9
60-6001-203	47	60-6050-097	31	BT-11	9
60-6001-205	47	60-6050-098	31	BT-11R	9
60-6001-360	47	60-6050-099	31	BT-12L	9
60-6001-361	47	60-6080-000	50	BT-12LR	9
60-6002-301	47	60-6085-200	50	BT-12R	9
60-6002-302	47	60-6085-201	50	BT-12S	9
60-6002-304	47	60-6085-202	50	BT-12S	9
60-6002-307	47	60-6085-203	50	BT-12SR	9
60-6002-308	47	8015	33	C7010	30
60-6002-309	47	8025	33	C7011	30
60-6010-000	45	8035	33	C7104	30
60-6010-001	45	8050-2	4	C7105	30
60-6010-002	45	8054-8	4	CD004	51
60-6010-003	45	8075-7	8	CD1402	18
60-6010-005	45	8080-02	4	CD1403	18
60-6020-100	45	8090-01	5	CD1404	18
60-6020-115	45	8090-02	5	cd1405	29
60-6035-001	35	8170-6	4	CD1406	18
60-6035-001W	35	8170-7	4	cd1411	29
60-6035-003	35	8170-8	4	cd1412	29
60-6035-004	35	8170-9	4	cd1415	29
60-6035-005	35	8191-01	5	CD1525	19
60-6035-431	35	8191-02	5	CD1526	19
60-6035-433	35	8191-05	5	CD1527	19
60-6040-001	37	8191-06	5	CD1605	14
60-6040-002	37	8272-14	7	CD1605FH	14
60-6040-003	37	8272-15	7	CD1606	14
60-6040-004	37	8272-16	7	CD1606FH	14
60-6040-005	37	8272-17	7	CD1607	14
60-6040-006	37	8272-18	7	CD1607FH	14
60-6040-431	37	8273-19	7	CD1608	14
60-6040-432	37	8515	33	CD1608FH	14
60-6040-433	37	8525	33	CD1609	14
60-6040-434	37	8535	33	CD1609FH	14
60-6040-435	37	8615	33	CD1610	14
60-6040-436	37	8625	33	CD1610FH	14
60-6045-001	36	8635	33	CD1612	14
60-6045-002	36	8715	33	CD1612FH	14
60-6045-003	36	8725	33	CD1705	21
60-6045-004	36	8735	33	CD1706	21
60-6045-005	36	8835	34	CD1708	21
60-6045-006	36	8900	34	CD1722	21
60-6045-431	36	8935	34	CD1723	21
60-6045-432	36	90T2007	7	CD1728	21
60-6045-433	36	90Z0131	7	CD1729	21
60-6045-434	36	BP-05	9	CD1735	21
60-6045-435	36	BP-3500	53	CD1737	21
60-6045-436	36	BT-05L	9	CD1907	23
60-6047-001	36	BT-05LR	9	CD1909	23
60-6047-431	36	BT-05R	9	CD1921	23
60-6050-001	31	BT-05S	9	CD1922	22

Reference No.	Page	Reference No.	Page	Reference No.	Page
CD1923	22	CD7410G	15	CD989	49
CD1928	22	CD7413G	15	DRS02	6
CD1929	23	CD7420G	15	DRSHD 1080P	6
CD1930	22	CD7430G	16	DT-05	10
CD1935	22	CD7435G	16	DT-05L	10
CD1937	22	CD7465G	16	DT-05LR	10
CD1939	23	CD7500G	16	DT-05R	10
CD1940	23	CD7513G	16	DT-05S	10
CD1950	23	CD7530G	16	DT-05SR	10
CD1951	24	CD7535G	16	DT-11	10
CD1952	23	CD7565G	17	DT-11R	10
CD1960	24	CD775	17	DT-12L	10
CD1961	24	CD801	51	DT-12LR	10
CD1970	24	CD802	51	DT-12R	10
CD1972	24	CD8185	43	DT-12S	10
CD1975	24	CD8190	43	DT-12S	10
CD1977	24	CD8300	43	DT-12SR	10
CD1982	24	CD8302	43	ECC01	52
CD203	39	CD8400	43	GS1012	30
CD203	41	CD845	44	GS1013	30
CD215	18	CD8450	43	GS1016	30
CD220	18	CD846	44	GS1002	6-30
CD225	18	CD849	44	GS1050	30
CD3900	31	CD856	44	GS1051	30
CD4011P-I	19	CD859	44	GS1052	30
CD4012P-I	19	CD860	44	GS1053	30
CD405	18	CD861	44	GS1054	30
CD408	18	CD862	44	GS2000	6-30
CD411	18	CD871	44	GS202K	30
CD412	18	CD872	44	GS2050	30
CD5080P-I	19	CD873	44	HT-12	10
CD511	20	CD874	44	IT0010	51
CD511B	20	CD878	44	IU0010	51
CD513	20	CD920	13	KM0005	52
CD513B	20	CD940	13	LI-1500	29
CD516	20	CD950	51	MC0005	52
CD516B	20	CD952	51	MK-1500	29
CD612	17	CD983	49	MK-3500	29
CD6300P	15	CD983A	49	MK0005	525
CD6300P-I	19	CD983N	49	PCC01	52
CD6350P	15	CD984	49	PCD-10	13
CD6350P-I	19	CD984A	49	RBT-05	12
CD6378P	15	CD984N	49	RBT-05L	12
CD650	17	CD985	49	RBT-05S	12
CD660	17	CD985A	49	RBT-11	12
CD7008G	17	CD985N	49	RBT-12	12
CD7010G	17	CD987	49	RBT-12L	12
CD7012G	17	CD987A	49	RBT-12S	12
CD7100G	15	CD987N	49	RC-05	11
CD7150G	15	CD988	49	RC-05L	11
CD720	20	CD988A	49	RC-05LR	11
CD7308G	15	CD988N	49	RC-05R	11

<b>Reference No.</b>	<b>Page</b>	<b>Reference No.</b>	<b>Page</b>	<b>Reference No.</b>	<b>Page</b>
RC-05S	11	RD-12	12	UPC-R81MD	6
RC-05SR	11	RD-12L	12	US-02	13
RC-11	11	RD-12S	12	US-12	13
RC-11R	11	RHST-12L	13	VP4602	8
RC-12L	11	RHT-12	13	VP8500	8
RC-12LR	11	RW-12	13	VP8501	8
RC-12R	11	SB-02	12	VP8502	8
RC-12S	11	SB-12	12	VP8520	8
RC-12S	11	SB836	51	VP8525	8
RC-12SR	11	SB857	51	VP8565	8
RD-05	12	SB936	51	WS-12	13
RD-05L	12	SB957	51		
RD-05S	12	SB979	51		
RD-11	12	UP-DR80MD	6		



Endomechanical and  
Advanced Visualization  
Product Catalog

525 French Road, Utica, NY 13502

Customer Service: 1-800-448-6506  
International Sales: +1(315) 797-8375  
Fax: 1-800-438-3051

Website: [ConMed.com](http://ConMed.com)  
Email: [info@mail.Conmed.com](mailto:info@mail.Conmed.com)